

PART NUMBER

KWG177084

REV.

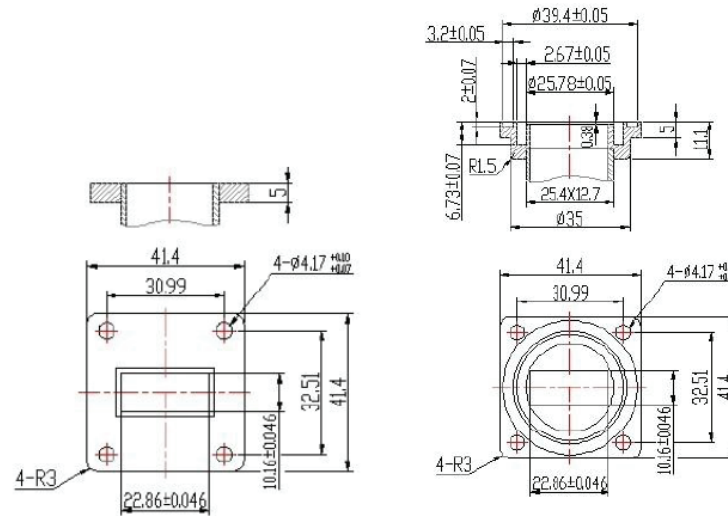
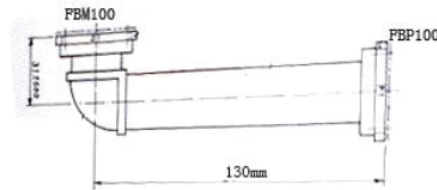
DATE

COMMENTS

INITIAL

Electrical Data

Impedance 50 Ω
 Frequency Range 8.2-12.4 GHz
 VSWR (Max) 1.10
 Insertion Loss (Max) 0.2 dB
 Waveguide type WR90
 Flange type FBP100 (Cover)/ FBM100 (Grooved)
 Accessory 1pc rubber gasket for FBM100

RoHS Compliant

Drawing not to scale. Dimensions for reference only

Units: mm

Konnnect RF

WWW.KONNECTRF.COM
 1-800-790-5887

PART NUMBER

KWG177084

DESCRIPTION

90° H-Plane Miter Bend Waveguide, WR90

CAGE CODE

664U0

SIGNATURE

X

Component

Body
 Inside Finish
 Outside finish

Material

Brass

Plating/Finish

Copper
 Silver
 Corrosion Protected w/ Grey paint

THIS DRAWING INCLUDING THE
 DESIGNS IS THE PROPERTY OF
 KONNECT RF AND IS NOT TO
 BE USED FOR ANY PURPOSE
 WITHOUT OUR APPROVAL.