

PART NUMBER

KTM178391

REV.

DATE

COMMENTS

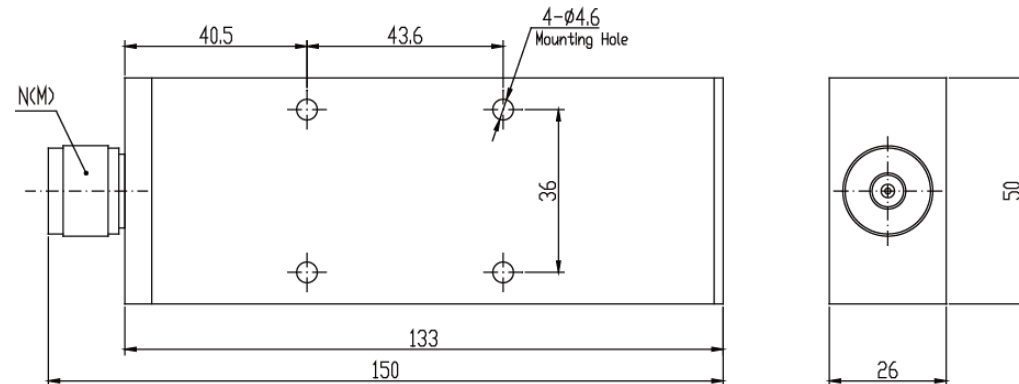
INITIAL

Electrical Data

Impedance 50 Ω
 Frequency Range DC - 2.5 GHz.
 Average Power 300W average to 25°C ambient temperature, derated linearly to 30W @ 125°C.
 Peak Power 10KW (5 μ s pulse width with 1% duty cycle)
 VSWR \leq 1.30

RoHS Compliant**Mechanical Data**

Temperature Range: -55 °C - 125 °C



Drawing not to scale. Dimensions for reference only

Units: mm

Konnect RF

WWW.KONNECTRF.COM
 1-800-790-5887

PART NUMBER

KTM178391

DESCRIPTION

Termination, N Male Plug

CAGE CODE

664U0

SIGNATURE

X

THIS DRAWING INCLUDING THE
 DESIGNS IS THE PROPERTY OF
 KONNECT RF AND IS NOT TO
 BE USED FOR ANY PURPOSE
 WITHOUT OUR APPROVAL.

Component
 Body
 Center Contact
 Housing

Material
 Brass
 Brass

Plating
 Nickel
 Gold
 Aluminum