

PART NUMBER

KTM178308

REV.

DATE

COMMENTS

INITIAL

Electrical Data

Impedance	50 Ω
Frequency Range	DC - 6 GHz.
Insertion Loss	$\leq 0.1 \times \sqrt{f(\text{GHz})}$ dB
Working Voltage (at sea level)	500 VRMS
Contact Resistance	
Center	≤ 1.5 m Ω
Outer	≤ 1 m Ω
Insulation Resistance	≥ 5000 M Ω
Dielectric Withstanding Voltage (at sea level)	1500 VRMS
VSWR	≤ 1.3 (DC to 6GHz)

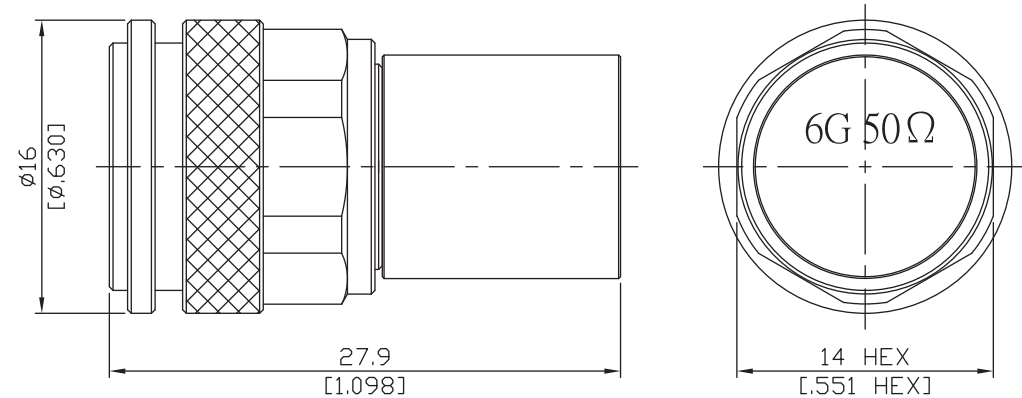
Mechanical Data

Recommended Coupling Nut Torque	4.1 to 6.1 inch lbs
Coupling Proof Torque	15 inch lbs
Coupling Nut Retention Force	≥ 101.2 lbs
Contact Captivation-axial	≥ 6.1 lbs
Durability	≥ 500 Cycles Min.
Temperature Range:	-55 $^{\circ}\text{C}$ - 165 $^{\circ}\text{C}$

Standards

Thermal Shock	MIL-STD-202, Method 107, Condition B
Moisture Resistance	MIL-STD-202, Method 106
Corrosion	MIL-STD-202, Method 101, Condition B

RoHS Compliant

**Drawing not to scale. Dimensions for reference only****Units: mm (inches)****Konnect RF**

WWW.KONNECTRF.COM
1-800-790-5887

PART NUMBER

KTM178308

DESCRIPTION

Termination, TNC Male Plug

CAGE CODE

664U0

SIGNATURE

X

Component
Body
Center Contact
Insulator

Material
Brass
BeCu
PTFE

Plating
White Broze
Gold

THIS DRAWING INCLUDING THE
DESIGNS IS THE PROPERTY OF
KONNECT RF AND IS NOT TO
BE USED FOR ANY PURPOSE
WITHOUT OUR APPROVAL.