

PART NUMBER

KTM177851

REV.

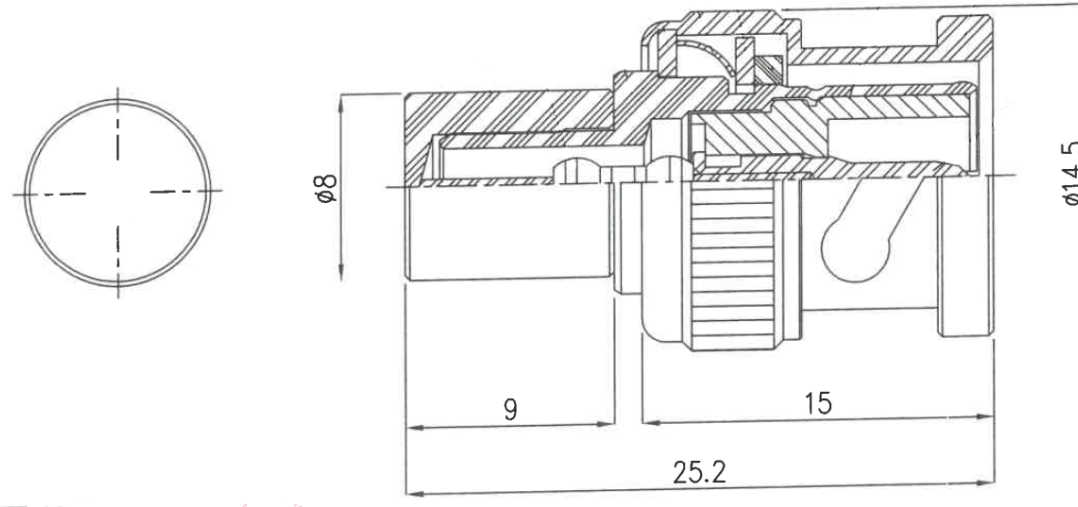
DATE

COMMENTS

INITIAL

Electrical Data

Impedance 50 Ω

RoHS Compliant

Drawing not to scale. Dimensions for reference only

Units: mm

Konnect RFWWW.KONNECTRF.COM
1-800-790-5887

PART NUMBER

KTM177851

DESCRIPTION

Termination, BNC Male

CAGE CODE

664U0

SIGNATURE

X

THIS DRAWING INCLUDING THE DESIGNS IS THE PROPERTY OF KONNECT RF AND IS NOT TO BE USED FOR ANY PURPOSE WITHOUT OUR APPROVAL.

Component

Body
Center Contact
Shell
Washer
Retaining Ring
Gasket
Insulator

Material

Brass
Brass
Brass
Brass
Brass
Rubber
POM

Plating

Nickel
Gold
Nickel
Nickel
Nickel