

PART NUMBER

**KTM177830**

REV.

DATE

COMMENTS

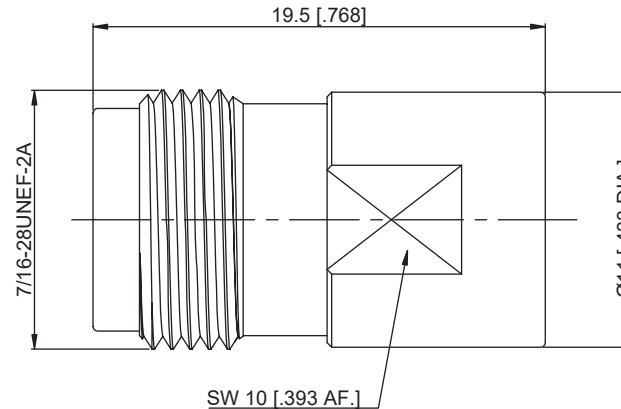
INITIAL

**Electrical Data**

Impedance 50  $\Omega$   
 Frequency Range DC - 18 GHz.  
 Average Power 2 Watts  
 Peak Power 500 Watts  
 VSWR 1.20 Max @ DC-6 GHz  
 1.30 Max @ 6-18 GHz

**RoHS Compliant****Mechanical Data**

Temperature Range: -55 °C - 125 °C



Drawing not to scale. Dimensions for reference only

Units: mm (inches)

**Konnect RF**

WWW.KONNECTRF.COM  
 1-800-790-5887

PART NUMBER

**KTM177830**

DESCRIPTION

**Termination, TNC Female Jack**

CAGE CODE

**664U0**

SIGNATURE

X

THIS DRAWING INCLUDING THE  
 DESIGNS IS THE PROPERTY OF  
 KONNECT RF AND IS NOT TO  
 BE USED FOR ANY PURPOSE  
 WITHOUT OUR APPROVAL.

**Component**

Body  
 Center Contact  
 Insulator

**Material**

Brass  
 Phos. Bronze  
 PTFE

**Plating**

Nickel  
 Gold