

PART NUMBER

KTM177807

REV.

DATE

COMMENTS

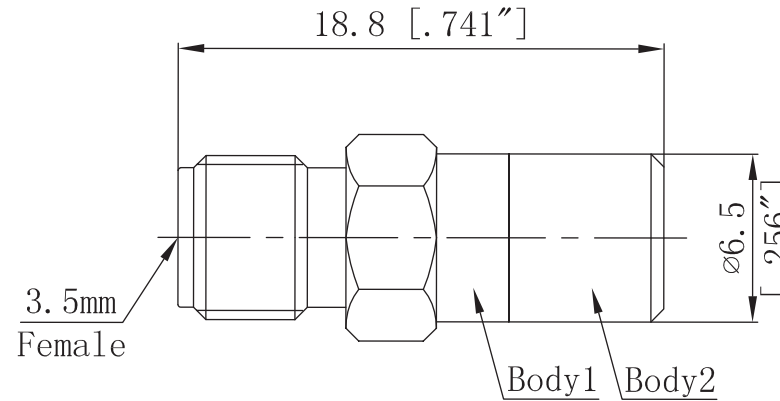
INITIAL

Electrical Data

Impedance	50 Ω
Frequency Range	DC - 26.5GHz.
Insulation Resistance	5,000 M Ω Min
Dielectric Withstanding Voltage	1,000V Max At Sea Level
VSWR	\leq 1.30
Power	2W

Mechanical Data

Durability	500 Cycles Min.
Temperature Range:	-55 $^{\circ}$ C - 165 $^{\circ}$ C

RoHS Compliant

Drawing not to scale. Dimensions for reference only

Units: mm (Inches)

Konnect RF

WWW.KONNECTRF.COM
1-800-790-5887

PART NUMBER

KTM177807

DESCRIPTION

Termination, 3.5mm Female Jack

CAGE CODE

664U0

SIGNATURE

X

THIS DRAWING INCLUDING THE DESIGNS IS THE PROPERTY OF KONNECT RF AND IS NOT TO BE USED FOR ANY PURPOSE WITHOUT OUR APPROVAL.

Component

Body
Center Contact
Insulator

Material

Stainless Steel
BeCu
PEI

Plating/Finish

Passivated
Gold