

PART NUMBER

KTM177681

REV.

DATE

COMMENTS

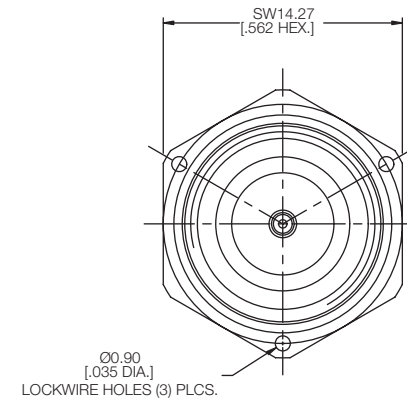
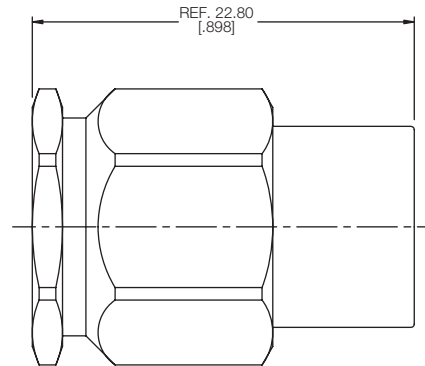
INITIAL

Electrical Data

Impedance 50 Ω
 Frequency Range DC - 18 GHz.
 Average Power 2 W Average to 25°C Ambient Temperature
 Derated Linearly to 0.2 W @ 125°C
 Peak Power 0.25 KW (5 μ S Pulse width with 0.8% Duty Cycle)
 VSWR 1.25 Max

RoHS Compliant**Mechanical Data**

Temperature Range: -55 °C - 125 °C



Drawing not to scale. Dimensions for reference only

Units: mm (inches)

Konnect RF

WWW.KONNECTRF.COM
 1-800-790-5887

PART NUMBER

KTM177681

DESCRIPTION

Termination, TNCA Male Plug, Lockwire Holes

CAGE CODE

664U0

SIGNATURE

X

THIS DRAWING INCLUDING THE
 DESIGNS IS THE PROPERTY OF
 KONNECT RF AND IS NOT TO
 BE USED FOR ANY PURPOSE
 WITHOUT OUR APPROVAL.

Component

Body
 Center Contact
 Insulator

Material

Stainless Steel
 BeCu
 PEI & PTFE

Plating/Finish

Passivated
 Gold