

PART NUMBER

KTM177661

REV.

DATE

COMMENTS

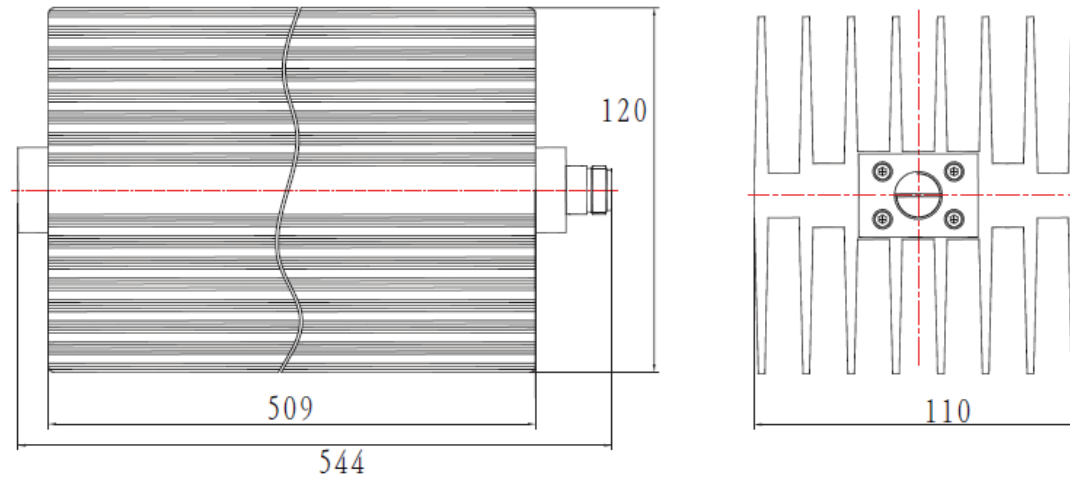
INITIAL

Electrical Data

Impedance 50 Ω
 Frequency Range DC - 18 GHz.
 Average Power 500 W(Unidirectional to 25°C ambient temp.
 derated linearly to 10W @ 125°C)
 Peak Power 10,000 W (5usec pulse width: 0.5% duty cycle)
 VSWR ≤ 1.35

RoHS Compliant**Mechanical Data**

Temperature Range: -50 °C - 125 °C



Drawing not to scale. Dimensions for reference only

Units: mm

*Drawing Shows N Female Connector, KTM177661 Provided w/ N Male Connector

Konnect RF

WWW.KONNECTRF.COM
 1-800-790-5887

PART NUMBER

KTM177661

DESCRIPTION

Termination, N Male Plug

CAGE CODE

664U0

SIGNATURE

X

THIS DRAWING INCLUDING THE
 DESIGNS IS THE PROPERTY OF
 KONNECT RF AND IS NOT TO
 BE USED FOR ANY PURPOSE
 WITHOUT OUR APPROVAL.