

PART NUMBER

KTM177655

REV.

DATE

COMMENTS

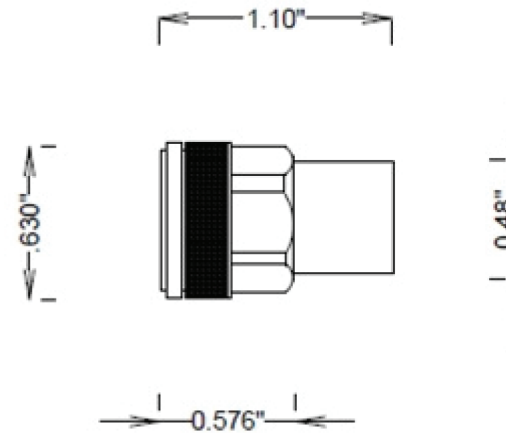
INITIAL

Electrical Data

Impedance 50 Ω
 Frequency Range DC - 18 GHz.
 Average Power 2 Watts
 Peak Power 1 kW (5 μ sec Pulse Width, 0.1% Duty Cycle)
 VSWR \leq 1.30

Mechanical Data

Temperature Range: -55 $^{\circ}$ C - 125 $^{\circ}$ C

RoHS Compliant

Drawing not to scale. Dimensions for reference only

Units: inches (mm)

Konnect RF

WWW.KONNECTRF.COM
 1-800-790-5887

PART NUMBER

KTM177655

DESCRIPTION

Termination, TNC Male Plug

CAGE CODE

664U0

SIGNATURE

X

Component
 Body

Material
 Stainless Steel

Plating/Finish
 Passivated

THIS DRAWING INCLUDING THE
 DESIGNS IS THE PROPERTY OF
 KONNECT RF AND IS NOT TO
 BE USED FOR ANY PURPOSE
 WITHOUT OUR APPROVAL.