

PART NUMBER

KTM177649

REV.

DATE

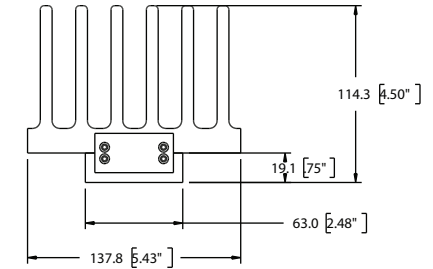
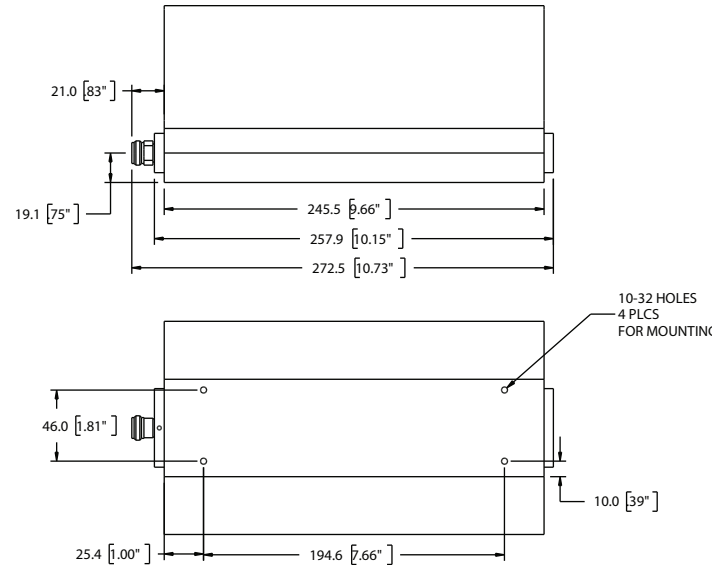
COMMENTS

INITIAL

Electrical Data

Impedance 50 Ω
 Frequency Range DC - 5 GHz.
 Average Power 500W, Maximum rated average power to
 25°C ambient temperature, de-rated linearly to 30 W
 @ 125°C
 Peak Power 10kW Peak (5 μ sec pulse
 width, 2.5% duty cycle)
 VSWR 1.10 @ DC-2.50 GHz
 1.20 @ 2.5-5.0 GHz

Temperature Range: -55 °C - 125 °C

Mechanical Data**RoHS Compliant**

Drawing not to scale. Dimensions for reference only

Units: mm (inches)

**Drawing Shows N Female. KTM177649 Supplied with N Male Connector

Konnect RF

WWW.KONNECTRF.COM
 1-800-790-5887

PART NUMBER

KTM177649

DESCRIPTION

Termination, N Male Plug

CAGE CODE

664U0

SIGNATURE

X

THIS DRAWING INCLUDING THE
 DESIGNS IS THE PROPERTY OF
 KONNECT RF AND IS NOT TO
 BE USED FOR ANY PURPOSE
 WITHOUT OUR APPROVAL.