

PART NUMBER

KTM177643

REV.

DATE

COMMENTS

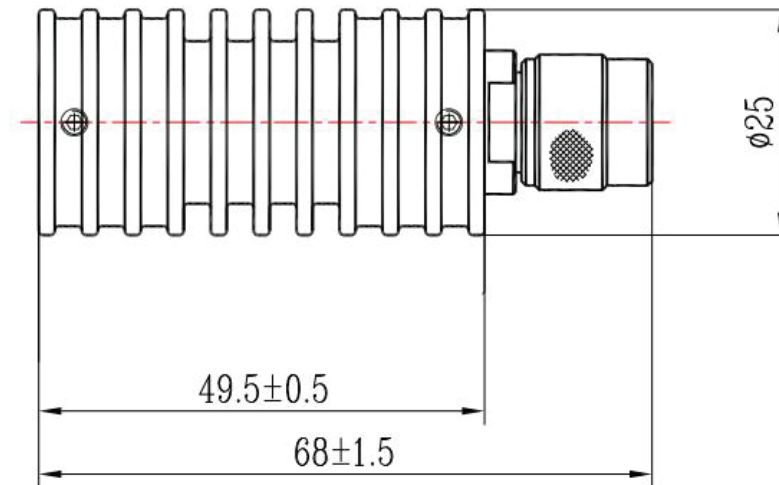
INITIAL

Electrical Data

Impedance 50 Ω
 Frequency Range DC - 18 GHz.
 Power Rating 5W @ 25°C
 VSWR 1.40 @ 18 GHz

Mechanical Data

Temperature Range: -55 °C - 125 °C

RoHS Compliant

Drawing not to scale. Dimensions for reference only

Units: mm

Konnect RF

WWW.KONNECTRF.COM
 1-800-790-5887

PART NUMBER

KTM177643

DESCRIPTION

Termination, TNC Male Plug

CAGE CODE

664U0

SIGNATURE

X

Component

Body
 Center Contact

Material

Aluminum
 BeCu

Plating

White Bronze
 Gold

THIS DRAWING INCLUDING THE
 DESIGNS IS THE PROPERTY OF
 KONNECT RF AND IS NOT TO
 BE USED FOR ANY PURPOSE
 WITHOUT OUR APPROVAL.