

PART NUMBER

KTM177609

REV.

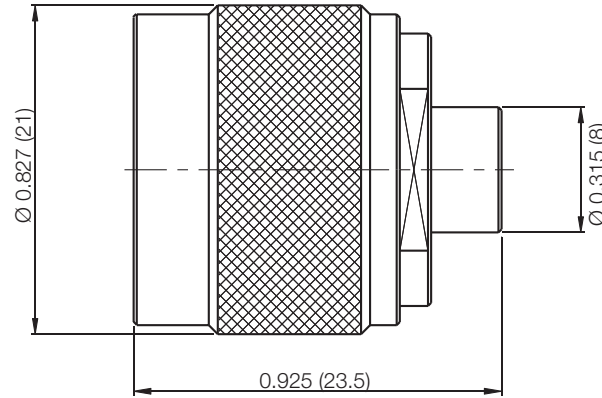
DATE

COMMENTS

INITIAL

Electrical Data

| | |
|-----------------|-------------|
| Impedance | 50 Ω |
| Frequency Range | DC - 6 GHz. |
| Average Power | 2 Watts |
| VSWR | 1.2 |

RoHS Compliant

Drawing not to scale. Dimensions for reference only

Units: inches (mm)

Konnect RF

WWW.KONNECTRF.COM
1-800-790-5887

PART NUMBER

KTM177609

DESCRIPTION

Termination, N Male Plug, White Bronze/Brass

CAGE CODE

664U0

SIGNATURE

X

Component

Body
Coupling Nut
Contact Pin
Insulator

Material

Brass
Brass
Brass
PTFE

Plating (Micro-Inches)

Tin Zinc-Copper-Alloy 100 Over Copper 50
Tin Zinc-Copper-Alloy 100 Over Copper 50
Gold 5 Over Nickel 50 Over Copper 50

THIS DRAWING INCLUDING THE
DESIGNS IS THE PROPERTY OF
KONNECT RF AND IS NOT TO
BE USED FOR ANY PURPOSE
WITHOUT OUR APPROVAL.