

PART NUMBER

KTM177595

REV.

DATE

COMMENTS

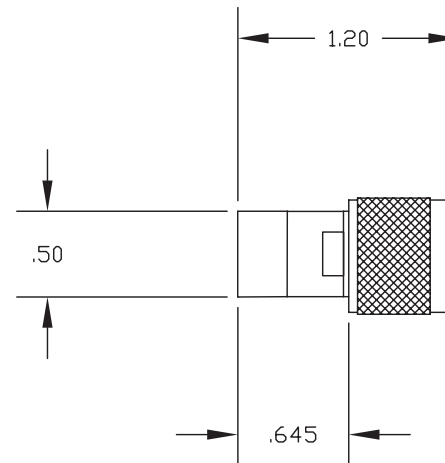
INITIAL

Electrical Data

Impedance 50 Ω
 Frequency Range DC - 3 GHz.
 Power Input 1 Watt Average @ 25°C
 VSWR 1.20 Typical
 1.30 Max

Mechanical Data

Temperature Range: -55 °C - 100 °C

RoHS Compliant

Drawing not to scale. Dimensions for reference only

Units: inches

Konnect RF

WWW.KONNECTRF.COM
 1-800-790-5887

PART NUMBER

KTM177595

DESCRIPTION

Termination, TNC Male Plug

CAGE CODE

664U0

SIGNATURE

X

Component
 Body

Material
 Brass

Plating
 Nickel

THIS DRAWING INCLUDING THE
 DESIGNS IS THE PROPERTY OF
 KONNECT RF AND IS NOT TO
 BE USED FOR ANY PURPOSE
 WITHOUT OUR APPROVAL.