

PART NUMBER

KTM177592

REV.

DATE

COMMENTS

INITIAL

Electrical Data

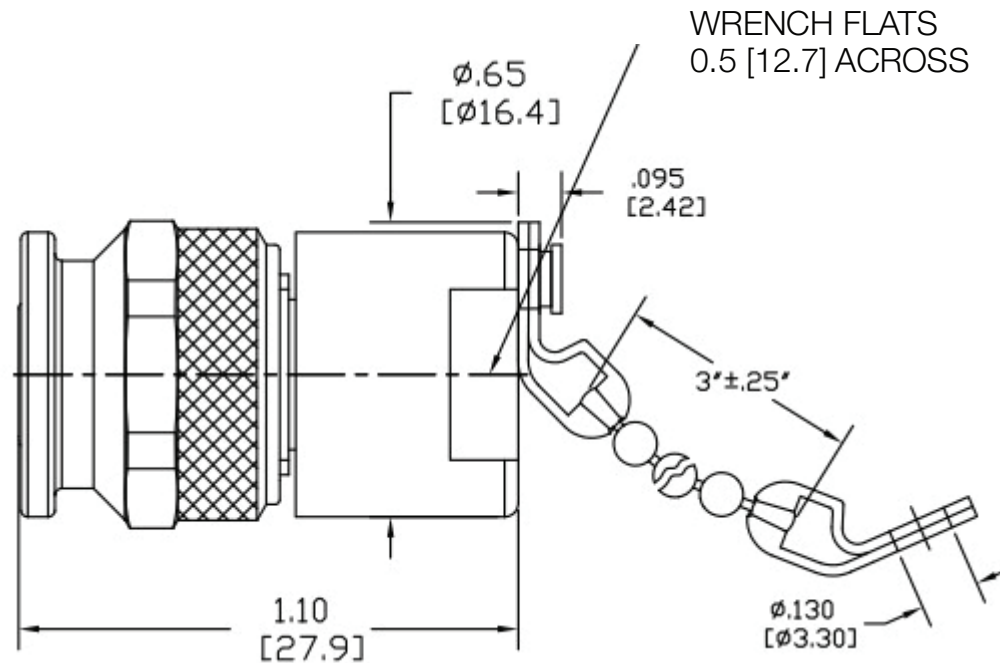
Impedance 50 Ω
 Frequency Range DC - 6 GHz.
 Power Handling 2W CW @ 25°C
 Derates Linearly to 10% @ 125°C
 Peak Power Power 500W
 (5 Microsecond PW, .02% Duty Cycle)

Mechanical Data

Temperature Range: -55 °C - 125 °C

Standards

MIL-STD-348

RoHS Compliant

Drawing not to scale. Dimensions for reference only

Units: inches (mm)

WWW.KONNECTRF.COM
 1-800-790-5887

PART NUMBER

KTM177592

DESCRIPTION

Termination, TNC Male Plug

CAGE CODE

664U0

SIGNATURE

X

THIS DRAWING INCLUDING THE
 DESIGNS IS THE PROPERTY OF
 KONNECT RF AND IS NOT TO
 BE USED FOR ANY PURPOSE
 WITHOUT OUR APPROVAL.

Component

Body
 Center Contact

Material

Stainless Steel
 BeCu

Plating/Finish

Passivated
 Gold