

PART NUMBER

KTM177481

REV.

DATE

COMMENTS

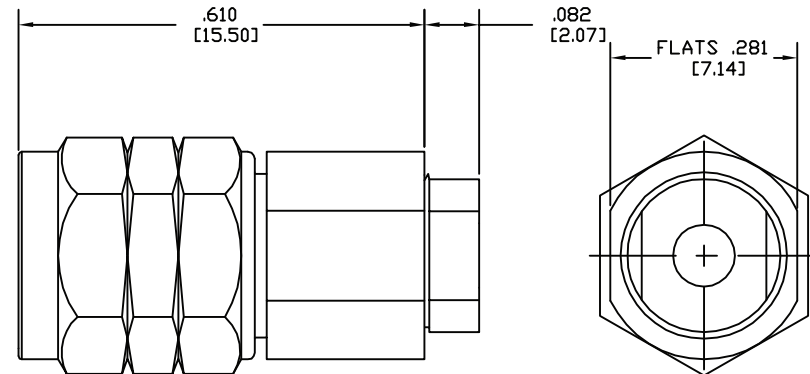
INITIAL

Electrical Data

Impedance 50 Ω
 Frequency Range DC - 50 GHz.
 Power 1 Watt
 VSWR ≤ 1.28

RoHS Compliant**Mechanical Data**

Temperature Range: -55 °C - 100 °C



Drawing not to scale. Dimensions for reference only

Units: inches [mm]

Konnect RF

WWW.KONNECTRF.COM
 1-800-790-5887

PART NUMBER

KTM177481

DESCRIPTION

Termination, 1.85mm Male Plug

CAGE CODE

664U0

SIGNATURE

X

THIS DRAWING INCLUDING THE
 DESIGNS IS THE PROPERTY OF
 KONNECT RF AND IS NOT TO
 BE USED FOR ANY PURPOSE
 WITHOUT OUR APPROVAL.

Component

Body
 Center Contact

Material

Stainless Steel
 BeCu

Plating

Passivated
 Gold