

PART NUMBER

**KTM177474**

REV.

DATE

COMMENTS

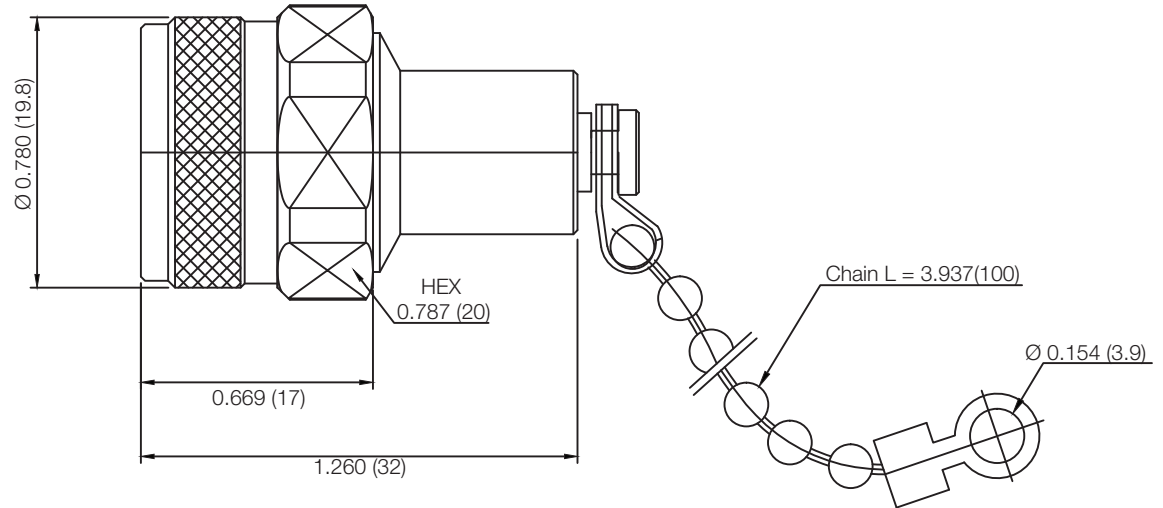
INITIAL

**Electrical Data**

Impedance 50  $\Omega$   
 Frequency Range DC - 11 GHz.  
 VSWR 1.20 @ 8GHz Max  
 Power Rating 2 Watts

**Mechanical Data**

Temperature Range: -50 °C - 125 °C

**RoHS Compliant**

Drawing not to scale. Dimensions for reference only

Units: inches (mm)

**Konnect RF**

WWW.KONNECTRF.COM  
 1-800-790-5887

PART NUMBER

**KTM177474**

DESCRIPTION

**Termination, N Male Plug**

CAGE CODE

**664U0**

SIGNATURE

X

THIS DRAWING INCLUDING THE  
 DESIGNS IS THE PROPERTY OF  
 KONNECT RF AND IS NOT TO  
 BE USED FOR ANY PURPOSE  
 WITHOUT OUR APPROVAL.

**Component**  
 Body  
 Center Contact

**Material**  
 Brass  
 Brass

**Plating**  
 White Bronze  
 Gold