

PART NUMBER

**KTM177470**

REV.

DATE

COMMENTS

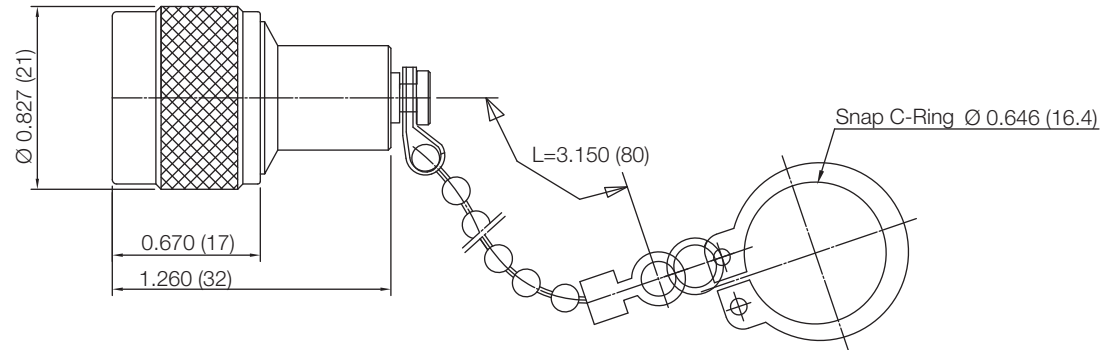
INITIAL

**Electrical Data**

Impedance 50  $\Omega$   
 Frequency Range DC - 6 GHz.  
 Power Rating 3Watts  
 VSWR  $\leq 1.20:1$ Max

**RoHS Compliant****Mechanical Data**

Operating Temperature Range: -50 °C +125 °C



Drawing not to scale. Dimensions for reference only

Units: inches (mm)

**Konnect RF**

WWW.KONNECTRF.COM  
 1-800-790-5887

PART NUMBER

**KTM177470**

DESCRIPTION

**Termination, N Male Plug, 3.15" Chain w/ Snap C-Ring**

CAGE CODE

**664U0**

SIGNATURE

X

THIS DRAWING INCLUDING THE  
 DESIGNS IS THE PROPERTY OF  
 KONNECT RF AND IS NOT TO  
 BE USED FOR ANY PURPOSE  
 WITHOUT OUR APPROVAL.

**Component**

N Connector  
 Chain  
 Snap C-Ring

**Material**

Brass  
 Brass  
 Spring Steel

**Plating**

Nickel  
 Nickel