

PART NUMBER

KTM177464

REV.

DATE

COMMENTS

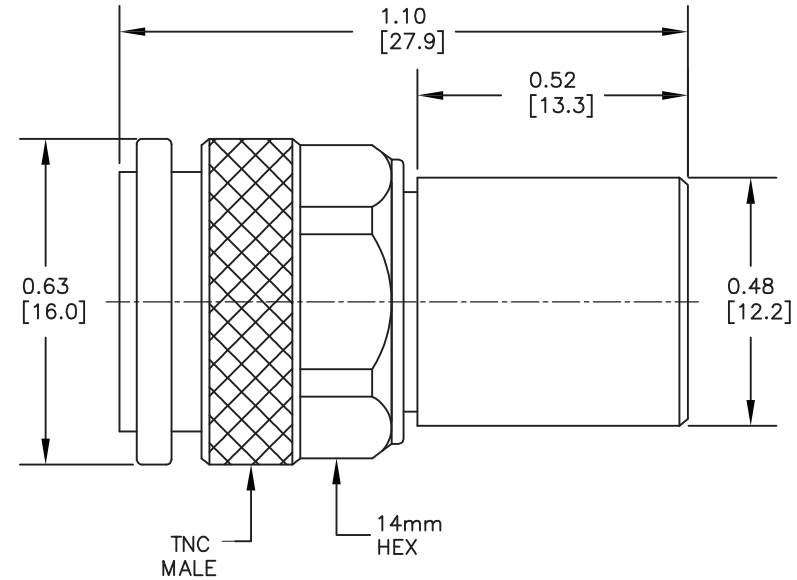
INITIAL

RoHS Compliant**Electrical Data**

Impedance 50Ω
 Frequency Range DC- 6GHz
 Dielectric Withstanding Voltage 1,000V Max @ Sea Level
 Insulation Resistance 5,000 MΩ min
 VSWR ≤ 1.10 @ DC -1GHz
 ≤ 1.15 @ 1-2.5 Ghz
 ≤ 1.20 @ 2.5-6GHz

Mechanical Data

Durability 500 Cycles Min.
 Temperature Range: -55 °C - 125°C



Drawing not to scale. Dimensions for reference only

Units: inches (mm)

Konnect RF

WWW.KONNECTRF.COM
 1-800-790-5887

PART NUMBER

KTM177464

DESCRIPTION

Termination, TNC Male Plug

CAGE CODE

664U0

SIGNATURE

X

THIS DRAWING INCLUDING THE
 DESIGNS IS THE PROPERTY OF
 KONNECT RF AND IS NOT TO
 BE USED FOR ANY PURPOSE
 WITHOUT OUR APPROVAL.

Component

Body & Coupling Nut
 Center Contact
 Insulator

Material

Brass
 Brass
 PTFE

Plating

White Bronze
 Gold