

PART NUMBER

KTM177428

REV.

DATE

COMMENTS

INITIAL

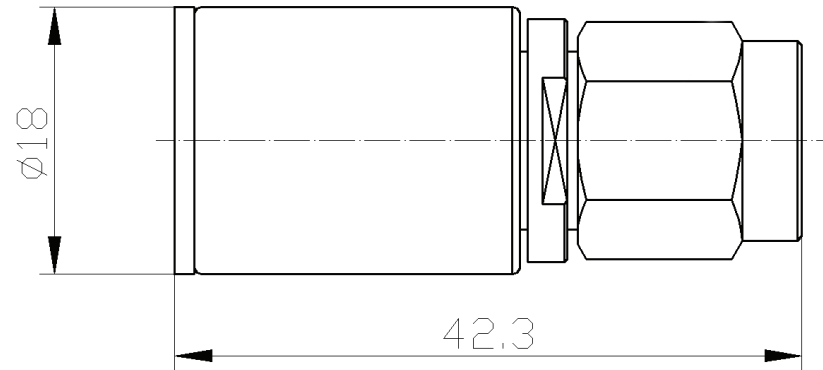
RoHS Compliant

Electrical Data

Impedance 50 Ω
 Frequency Range DC - 4 GHz
 Average Power 2 W average to 25 °C ambient temperature,
 derated linearly to 0.5 W @ 125 °C.
 Peak Power 0.5 KW (5 μ s pulse width with 0.4% duty cycle)
 VSWR 1.25

Mechanical Data

Temperature Range -55 °C - 125 °C



Drawing not to scale. Dimensions for reference only

Units: mm

WWW.KONNECTRF.COM
 1-800-790-5887

PART NUMBER

KTM177428

DESCRIPTION

Termination, TNC Male Plug

CAGE CODE

664U0

SIGNATURE

X

Component

Body
 Male Contact
 Female Contact
 Housing

Material

Brass
 Brass
 BeCu
 Aluminum

Plating

Nickel
 Gold
 Gold

THIS DRAWING INCLUDING THE
 DESIGNS IS THE PROPERTY OF
 KONNECT RF AND IS NOT TO
 BE USED FOR ANY PURPOSE
 WITHOUT OUR APPROVAL.