

PART NUMBER

**KTM177370**

REV.

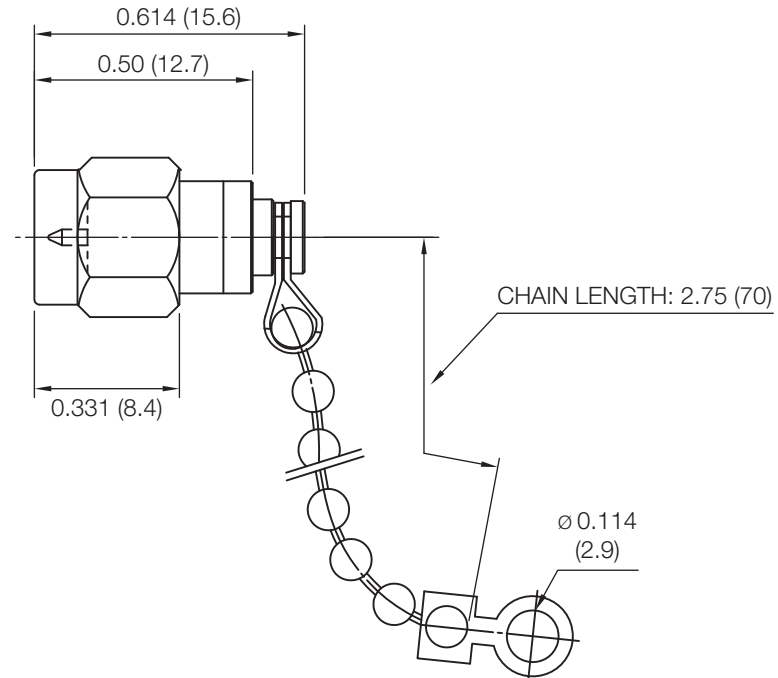
INITIAL

**Electrical Data**

Impedance 50  $\Omega$   
 Frequency Range DC - 18 GHz.  
 Average Power 1 Watt  
 VSWR 1.15:1 @ 12 GHz  
 1.25:1 @ 18 GHz

**RoHS Compliant****Mechanical Data**

Temperature Range: -55 °C - 125 °C



Drawing not to scale. Dimensions for reference only

Units: inches (mm)

**Konnect RF**

WWW.KONNECTRF.COM  
 1-800-790-5887

PART NUMBER

**KTM177370**

DESCRIPTION

**Termination, SMA Male Plug with Chain**

CAGE CODE

**664U0**

SIGNATURE

X

THIS DRAWING INCLUDING THE  
 DESIGNS IS THE PROPERTY OF  
 KONNECT RF AND IS NOT TO  
 BE USED FOR ANY PURPOSE  
 WITHOUT OUR APPROVAL.

**Component**

Body  
 Center Contact  
 Insulator  
 Chain, Rivet

**Material**

Stainless  
 Brass  
 PTFE  
 Brass

**Plating**

Gold  
 Gold Plated  
 Gold