

PART NUMBER

KTM177356

REV.

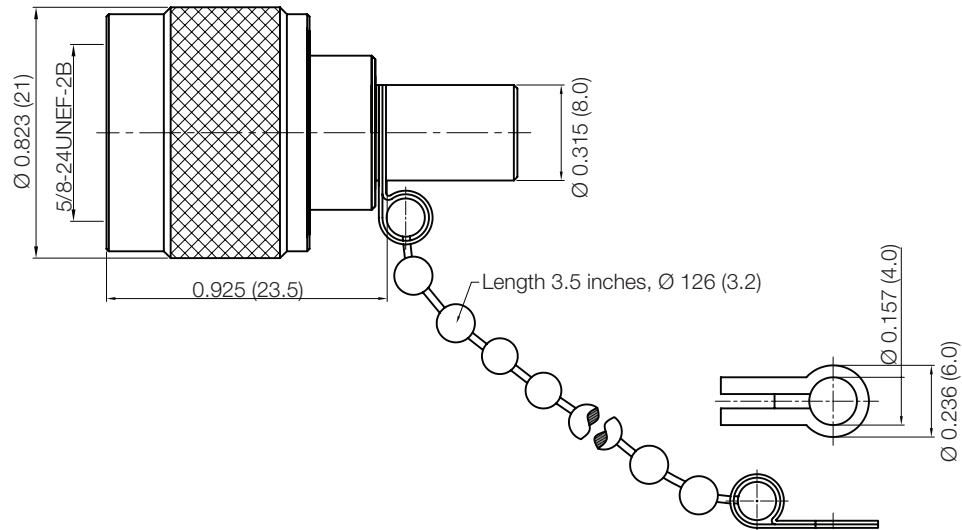
DATE

COMMENTS

INITIAL

Electrical Data

Impedance 75± 0.75 Ω
 Average Power 1 W
 Frequency Range DC - 2 GHz.
 VSWR ≤ 1.2

RoHS Compliant

Drawing not to scale. Dimensions for reference only

Units: inches (mm)

Konnect RF

WWW.KONNECTRF.COM
 1-800-790-5887

PART NUMBER

KTM177356

DESCRIPTION

Termination, N Male Plug

CAGE CODE

664U0

SIGNATURE

X

THIS DRAWING INCLUDING THE
 DESIGNS IS THE PROPERTY OF
 KONNECT RF AND IS NOT TO
 BE USED FOR ANY PURPOSE
 WITHOUT OUR APPROVAL.

Component

Body
 Center Contact
 Insulator
 Gasket

Material

Brass
 Brass
 PTFE
 Silicone Rubber

Plating

White Bronze
 Gold