

PART NUMBER

KTM177333

REV.

DATE

COMMENTS

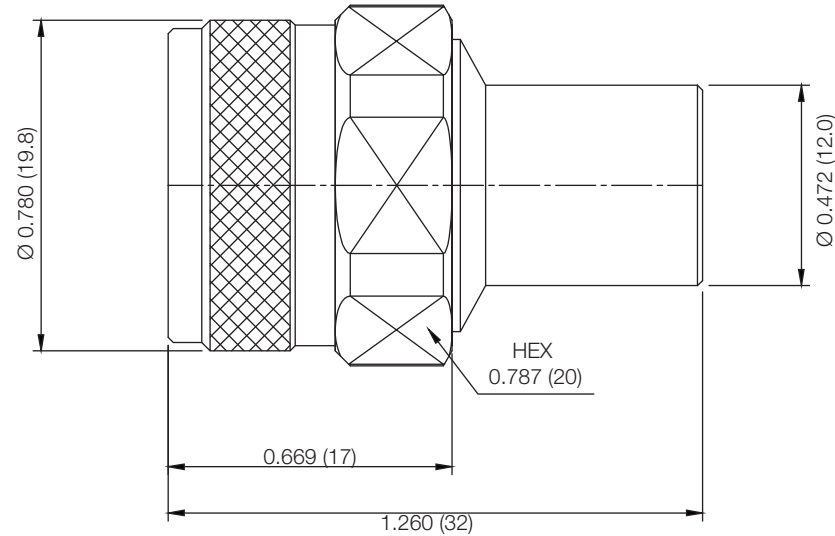
INITIAL

Electrical Data

Impedance	50 Ω
Frequency Range	DC -11 GHz.
VSWR	1.20 @ 8GHz Max
Power Rating	2 Watts

RoHS Compliant**Mechanical Data**

Operating Temperature Range: -50 °C - 125 °C



Drawing not to scale. Dimensions for reference only

Units: inches (mm)

Konnect RF

WWW.KONNECTRF.COM
1-800-790-5887

PART NUMBER

KTM177333

DESCRIPTION

Termination, N Male Plug

CAGE CODE

664U0

SIGNATURE

X

THIS DRAWING INCLUDING THE DESIGNS IS THE PROPERTY OF KONNECT RF AND IS NOT TO BE USED FOR ANY PURPOSE WITHOUT OUR APPROVAL.

ComponentBody
Center**Material**Brass
Brass**Plating**White Bronze
Gold