

PART NUMBER

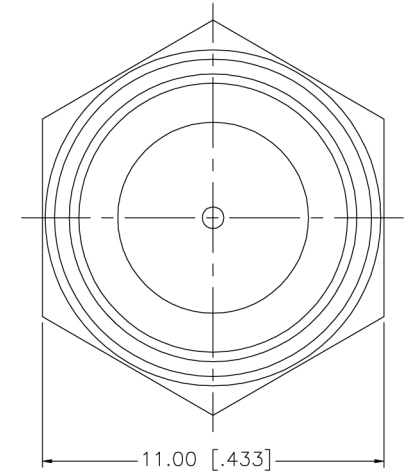
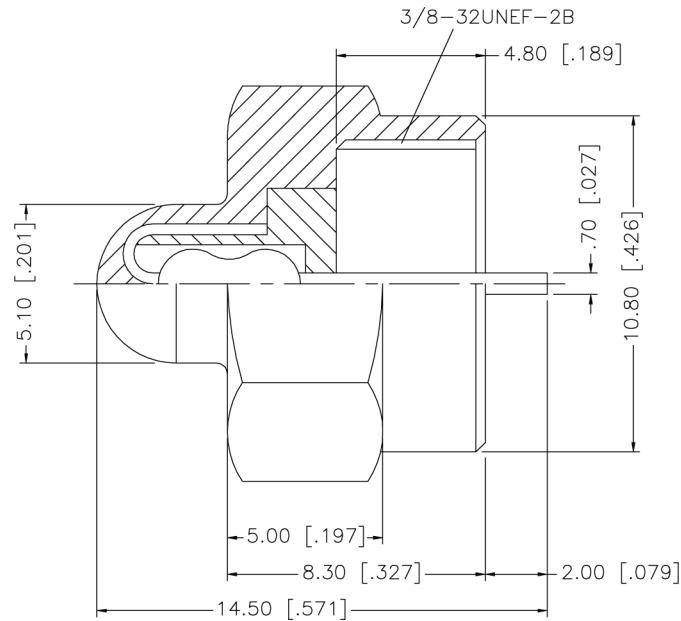
**KTM177308**

REV.

INITIAL

**Electrical Data**

Impedance **75 Ω**  
 Frequency Range **DC - 3 GHz**  
 Return Loss **30 dB @ 1 GHz**

**RoHS Compliant**

VSWR and Frequency Range Specifications  
 are for reference and are dependant on cable  
 type and other application specific conditions

Drawing not to scale. Dimensions for reference only

WWW.KONNECTRF.COM  
 540 NW University Blvd. Ste. 109  
 Port Saint Lucie, Florida, 34986  
 1-800-790-5887

PART NUMBER

**KTM177308**

DESCRIPTION

**Termination - F Male Plug**

CAGE CODE

**664U0**

SIGNATURE

X

**Materials**

Body / Housing  
 Contact Pin  
 Insulator

Diecast  
 Steel  
 PTFE

Nickel Plated  
 Nickel Plated

THIS DRAWING INCLUDING THE  
 DESIGNS IS THE PROPERTY OF  
 KONNECT RF AND IS NOT TO  
 BE USED FOR ANY PURPOSE  
 WITHOUT OUR APPROVAL.