

PART NUMBER

**KTM177256**

REV.

DATE

COMMENTS

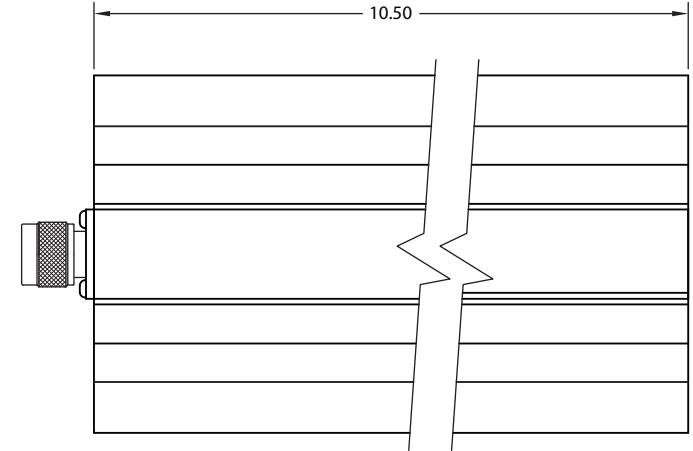
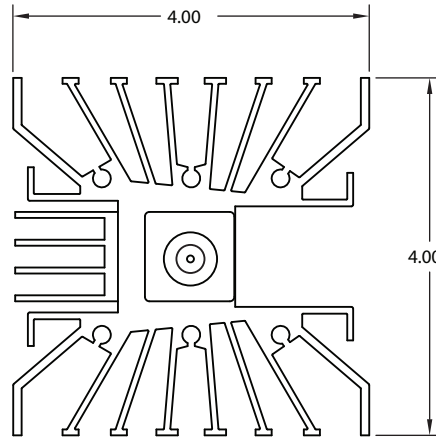
INITIAL

**Electrical Data**

Impedance 50  $\Omega$   
 Frequency Range DC - 4 GHz.  
 Average Input Power 175 Watts  
 Peak Input Power 2,000 Watts  
 VSWR  $\leq 1.20$  @ DC - 3.0 GHz  
 $\leq 1.28$  @ 3.0 - 4.0 GHz

**Mechanical Data**

Temperature Range: -55 °C - 125 °C  
 Weight 6.5 Lbs

**RoHS Compliant**

Drawing not to scale. Dimensions for reference only

Units: inches

**Konnect RF**

WWW.KONNECTRF.COM  
 1-800-790-5887

PART NUMBER

**KTM177256**

DESCRIPTION

**Termination, N Male Plug**

CAGE CODE

**664U0**

SIGNATURE

X

THIS DRAWING INCLUDING THE  
 DESIGNS IS THE PROPERTY OF  
 KONNECT RF AND IS NOT TO  
 BE USED FOR ANY PURPOSE  
 WITHOUT OUR APPROVAL.