

PART NUMBER

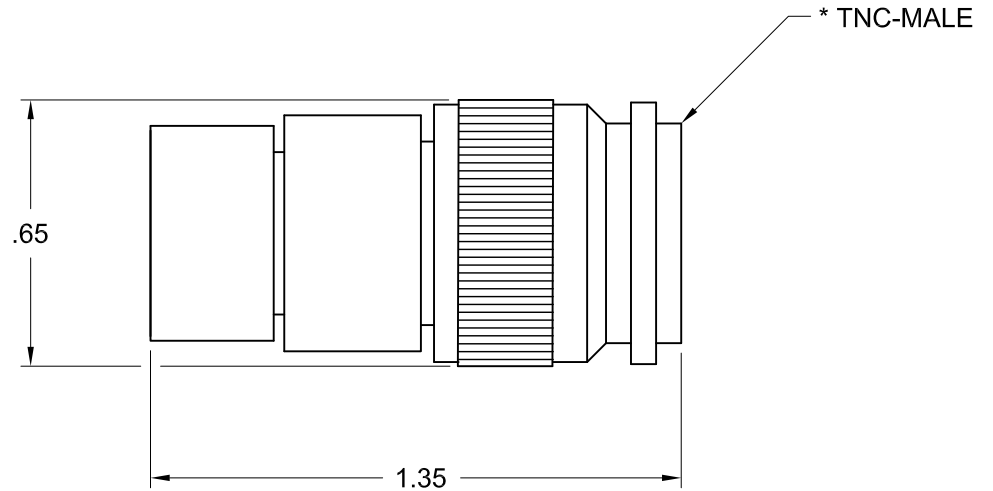
KTM177255

REV.

INITIAL

Electrical Data

Impedance 50 Ω
 Frequency Range DC - 6 GHz
 VSWR DC - 3 GHz 1.15:1 Max.
 3 - 6 GHz 1.25:1 Max.
 Average Power 2 Watts @ +25°C
 Derates Linearly to 1 Watts @ + 125°C
 Peak Power 2,000 Watts 5 sec pulse
 0.05% duty cycle
 Operating Temperature -55°C to + 85°C

RoHS Compliant

VSWR and Frequency Range Specifications
 are for reference and are dependant on cable
 type and other application specific conditions

Drawing not to scale. Dimensions for reference only

Units: mm

Konnect RF

WWW.KONNECTRF.COM
 1-800-790-5887

PART NUMBER

KTM177255

DESCRIPTION

Termination, TNC Male Plug

CAGE CODE

664U0

SIGNATURE

X

THIS DRAWING INCLUDING THE
 DESIGNS IS THE PROPERTY OF
 KONNECT RF AND IS NOT TO
 BE USED FOR ANY PURPOSE
 WITHOUT OUR APPROVAL.

Component

Connector
 Connector Pln
 Housing
 Insulator

Material

Brass
 Be.Cu
 Brass
 PTFE

Plating

White Bronze
 Gold
 White Bronze
 Virgin electrical grade