

PART NUMBER

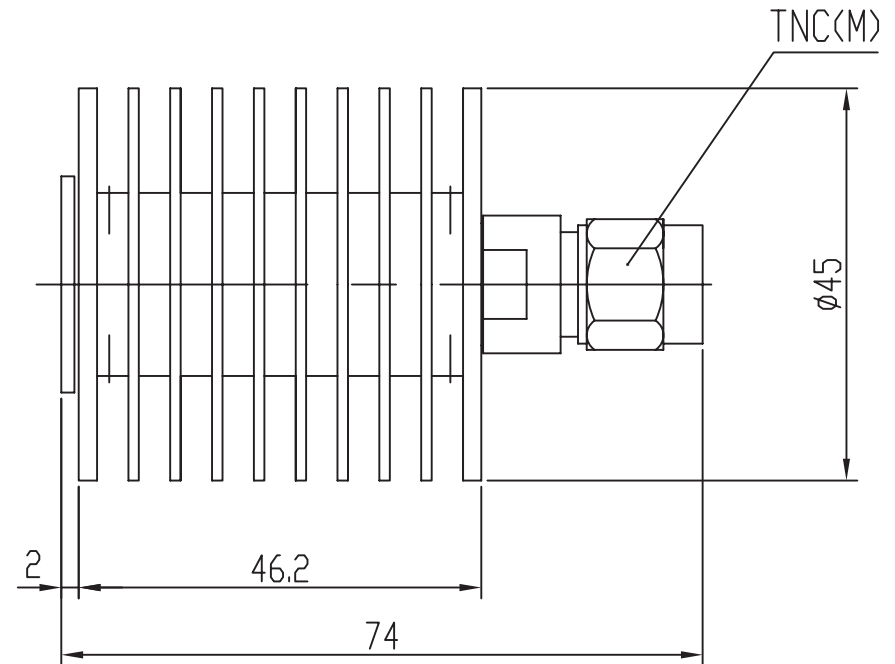
KTM177254

REV.

INITIAL

Electrical Data

Impedance 50 Ω
 Handling Power 25W

RoHS Compliant

VSWR and Frequency Range Specifications
 are for reference and are dependant on cable
 type and other application specific conditions

Drawing not to scale. Dimensions for reference only

Units: mm

WWW.KONNECTRF.COM
 1-800-790-5887

PART NUMBER

KTM177254

DESCRIPTION

Termination, TNC Male Plug

CAGE CODE

664U0

SIGNATURE

X

THIS DRAWING INCLUDING THE
 DESIGNS IS THE PROPERTY OF
 KONNECT RF AND IS NOT TO
 BE USED FOR ANY PURPOSE
 WITHOUT OUR APPROVAL.

Component
 Body

Material
 Brass

Plating
 Nickel