

PART NUMBER

**KTM177238**

REV.

DATE

COMMENTS

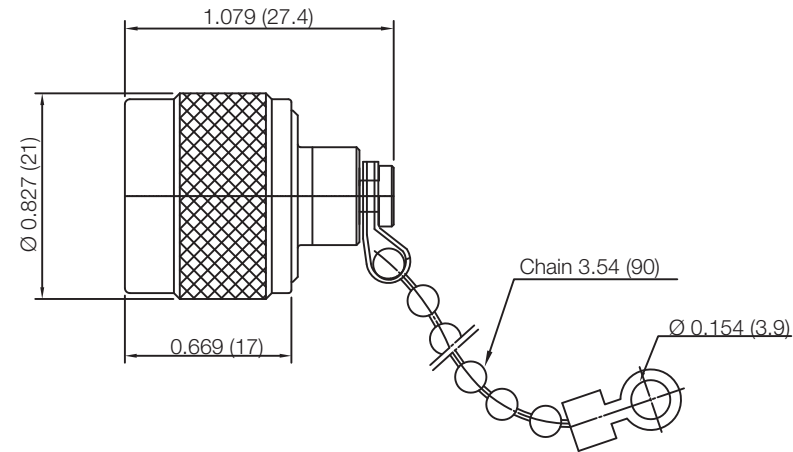
INITIAL

**Electrical Data**

Impedance 75  $\Omega$   
 Frequency Range DC - 2 GHz.  
 Power Rating 1 Watts  
 VSWR  $\leq 1.20$

**RoHS Compliant****Mechanical Data**

Temperature Range: -50 °C - 125 °C



Drawing not to scale. Dimensions for reference only

Units: inches (mm)

**Konnect RF**

WWW.KONNECTRF.COM  
 1-800-790-5887

PART NUMBER

**KTM177238**

DESCRIPTION

**Termination, N Male Plug**

CAGE CODE

**664U0**

SIGNATURE

X

THIS DRAWING INCLUDING THE  
 DESIGNS IS THE PROPERTY OF  
 KONNECT RF AND IS NOT TO  
 BE USED FOR ANY PURPOSE  
 WITHOUT OUR APPROVAL.

**Component**

Body  
 Center Contact

**Material**

Brass  
 Brass

**Plating**

Nickel 100  $\mu$   
 Gold 15  $\mu$