

PART NUMBER

**KTM177237**

REV.

DATE

COMMENTS

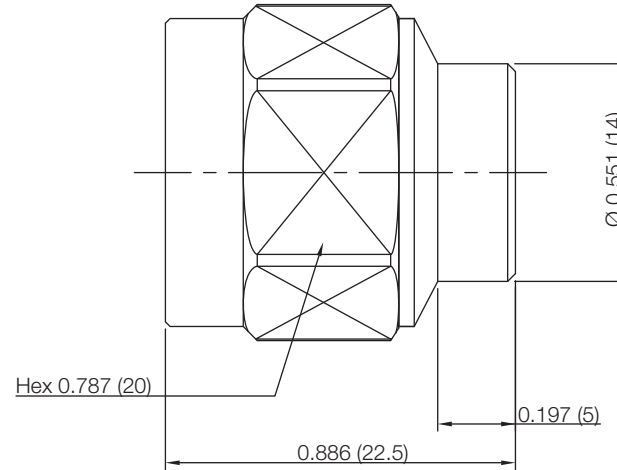
INITIAL

**Electrical Data**

Impedance 50  $\Omega$   
 Frequency Range DC - 6 GHz.  
 Power Rating 1 Watt  
 VSWR 1.15 max @ DC-3 GHz  
 1.20 max @ 3-6 GHz

**Mechanical Data**

Temperature Range: -50 °C - 125 °C

**RoHS Compliant**

Drawing not to scale. Dimensions for reference only

Units: inches (mm)

**Konnect RF**

WWW.KONNECTRF.COM  
 1-800-790-5887

PART NUMBER

**KTM177237**

DESCRIPTION

**Termination, N Male Plug**

CAGE CODE

**664U0**

SIGNATURE

X

THIS DRAWING INCLUDING THE  
 DESIGNS IS THE PROPERTY OF  
 KONNECT RF AND IS NOT TO  
 BE USED FOR ANY PURPOSE  
 WITHOUT OUR APPROVAL.

**Component**

Body  
 Conductors

**Material**

Brass  
 Brass

**Plating**

White Bronze  
 Gold