

PART NUMBER

KTM177234

REV.

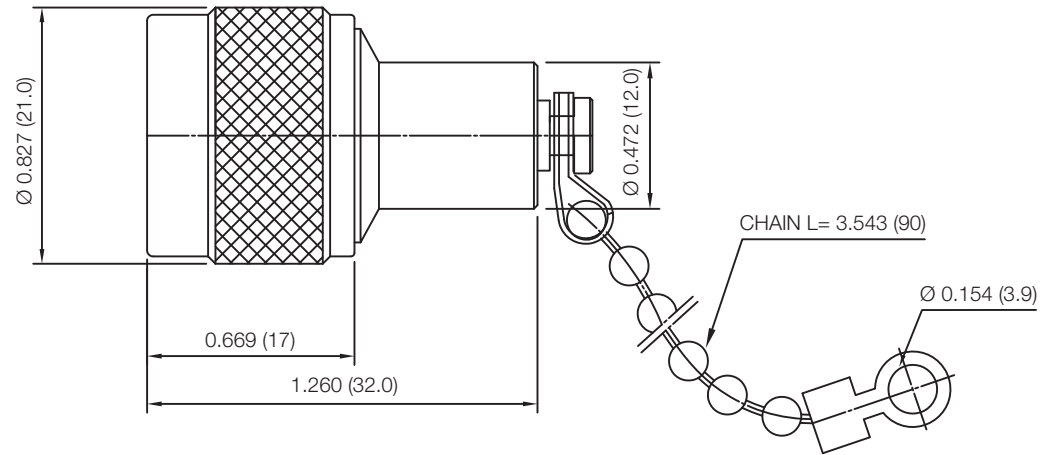
INITIAL

Electrical Data

Impedance 50 Ω
 Frequency Range DC-6 GHz
 VSWR 1.20:1 Max.
 Power Rating 3 Watts

RoHS Compliant**Mechanical Data**

Temperature Range: -50°C ~+ 125°C



VSWR and Frequency Range Specifications are for reference and are dependant on cable type and other application specific conditions

Drawing not to scale. Dimensions for reference only

Units: inches (mm)

WWW.KONNECTRF.COM
 1-800-790-5887

PART NUMBER

KTM177234

DESCRIPTION

Termination, N Male Plug, 3.5" Chain

CAGE CODE

664U0

SIGNATURE

X

THIS DRAWING INCLUDING THE DESIGNS IS THE PROPERTY OF KONNECT RF AND IS NOT TO BE USED FOR ANY PURPOSE WITHOUT OUR APPROVAL.

Component

Body
 Contact

Material

Brass
 Brass

Plating

Nickel
 Gold