

PART NUMBER

**KTM177192**

REV.

DATE

COMMENTS

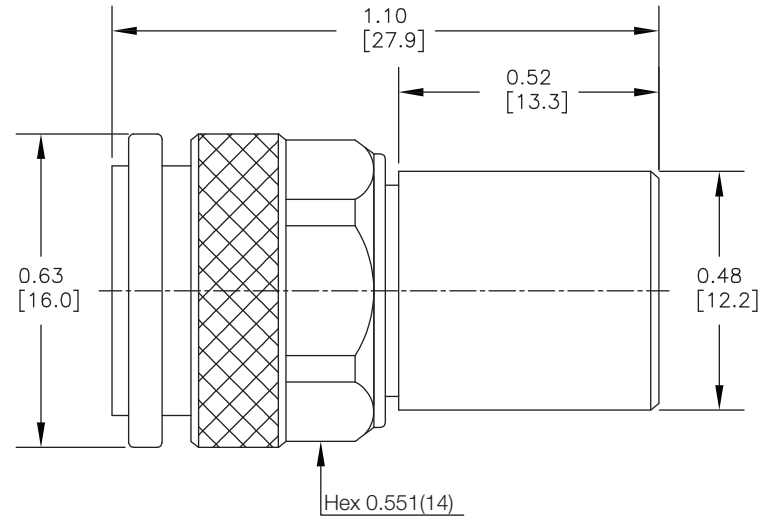
INITIAL

**RoHS Compliant****Electrical Data**

Impedance	50 $\Omega$
Frequency Range	DC - 6 GHz.
Insertion Loss	0.5 dB
Insulation Resistance	5,000 M $\Omega$ min
Dielectric Withstanding Voltage	1,000V Max @ Sea Level
VSWR	$\leq$ 1.10 @ DC- 1 GHz $\leq$ 1.15 @ 1-2.5GHz $\leq$ 1.20 @ 2.5-6GHz

**Mechanical Data**

Temperature Range:	-55 $^{\circ}$ C - 125 $^{\circ}$ C
Durability	500 Cycles



Drawing not to scale. Dimensions for reference only

Units: inches (mm)

**Konnect RF**

WWW.KONNECTRF.COM  
1-800-790-5887

PART NUMBER

**KTM177192**

DESCRIPTION

**Termination, TNC Male Plug**

CAGE CODE

**664U0**

SIGNATURE

X

THIS DRAWING INCLUDING THE  
DESIGNS IS THE PROPERTY OF  
KONNECT RF AND IS NOT TO  
BE USED FOR ANY PURPOSE  
WITHOUT OUR APPROVAL.

**Component**

Body & Nut  
Center Contact  
Insulator

**Material**

Brass  
Brass  
PTFE

**Plating**

White Bronze  
Gold