

PART NUMBER

KTM177187

REV.

DATE

COMMENTS

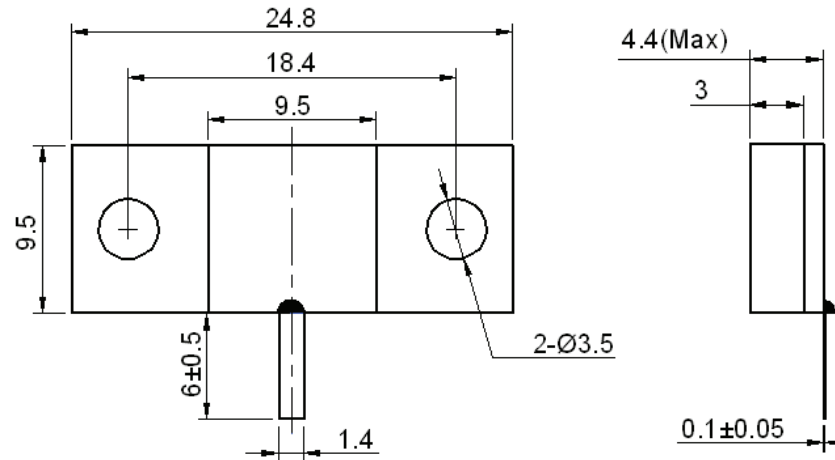
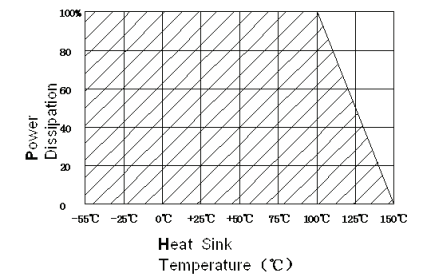
INITIAL

Electrical Data

Impedance 50 Ω
 Frequency Range DC - 3 GHz.
 Resistance Tolerance +/- 5%
 Power Rating 250W
 Temperature Coefficient $\leq 150\text{ppm}/^\circ\text{C}$
 VSWR ≤ 1.2

Mechanical Data

Temperature Range: -55 $^\circ\text{C}$ - 150 $^\circ\text{C}$

RoHS Compliant**Power Derating**

Drawing not to scale. Dimensions for reference only

Units: mm

Other Unremarked Dimensions' Tolerance : $\pm 0.25\text{mm}$ **Konnect RF**

WWW.KONNECTRF.COM
 1-800-790-5887

PART NUMBER

KTM177187

DESCRIPTION

Termination, Flange Mount

CAGE CODE

664U0

SIGNATURE

X

THIS DRAWING INCLUDING THE
 DESIGNS IS THE PROPERTY OF
 KONNECT RF AND IS NOT TO
 BE USED FOR ANY PURPOSE
 WITHOUT OUR APPROVAL.