

PART NUMBER

KTM177130

REV.

INITIAL

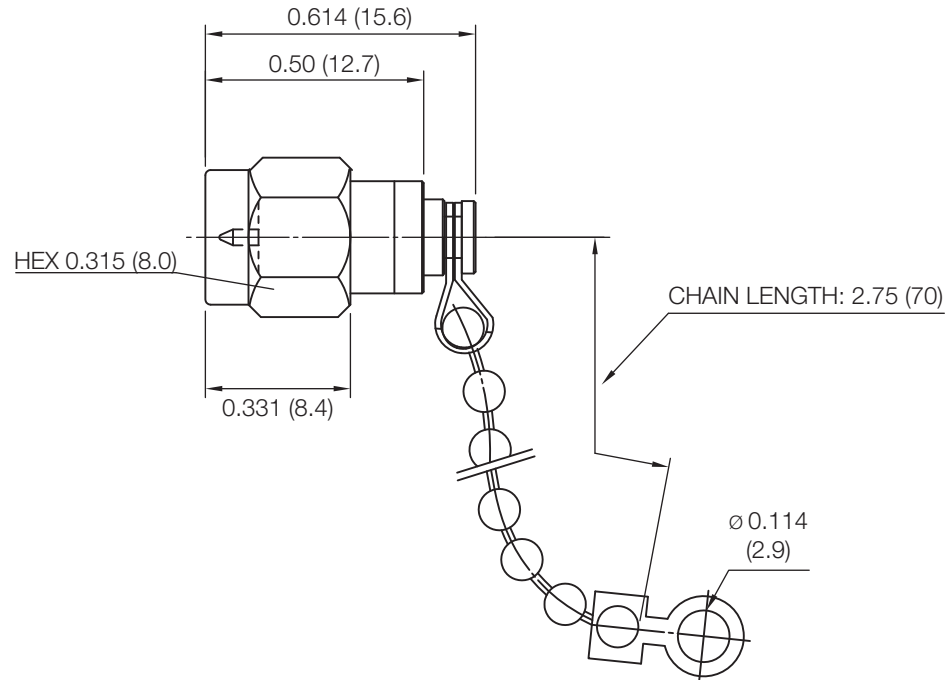
Electrical Data

Impedance	50 Ω
Frequency Range	DC - 18 GHz.
Average Power	1 Watt
VSWR	1.15:1 @ 12 GHz 1.25:1 @ 18 GHz

RoHS Compliant

Mechanical Data

Temperature Range: -55 °C - 125 °C



Drawing not to scale. Dimensions for reference only

Units: inches (mm)



WWW.KONNECTRF.COM
1-800-790-5887

PART NUMBER

KTM177130

DESCRIPTION

Termination, SMA Male Plug, With 2.75 Chain, Gasket

CAGE CODE

664U0

SIGNATURE

X

THIS DRAWING INCLUDING THE DESIGNS IS THE PROPERTY OF KONNECT RF AND IS NOT TO BE USED FOR ANY PURPOSE WITHOUT OUR APPROVAL.

Component

Body, Coupling Cap
Center Contact
Insulator
Chain, Rivet
Gasket

Material

Stainless
Brass
PTFE
Brass
Silicone Rubber

Plating

Gold
Gold Plated

Nickel