

PART NUMBER

KTM177004

REV.

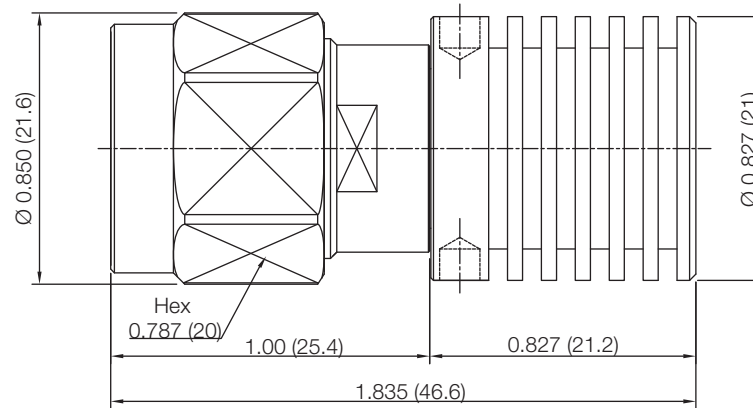
DATE

COMMENTS

INITIAL

Electrical Data

Impedance	50 Ω \pm 5 Ω
Frequency Range	0.698 - 2.7 GHz.
Power Rating	5 Watts @ 25 °C
VSWR	\leq 1.2

RoHS Compliant

Drawing not to scale. Dimensions for reference only

Units: inches (mm)

Konnect RF

WWW.KONNECTRF.COM
1-800-790-5887

PART NUMBER

KTM177004

DESCRIPTION

Termination, N Male Plug

CAGE CODE

664U0

SIGNATURE

X

THIS DRAWING INCLUDING THE
DESIGNS IS THE PROPERTY OF
KONNECT RF AND IS NOT TO
BE USED FOR ANY PURPOSE
WITHOUT OUR APPROVAL.

Component

Body & Coupling Nut

Material

Brass
Black Anodized Aluminum

Plating

Nickel
Gold

Center Contact
Insulator

Brass
PEI