

PART NUMBER

KTM177002

REV.

DATE

COMMENTS

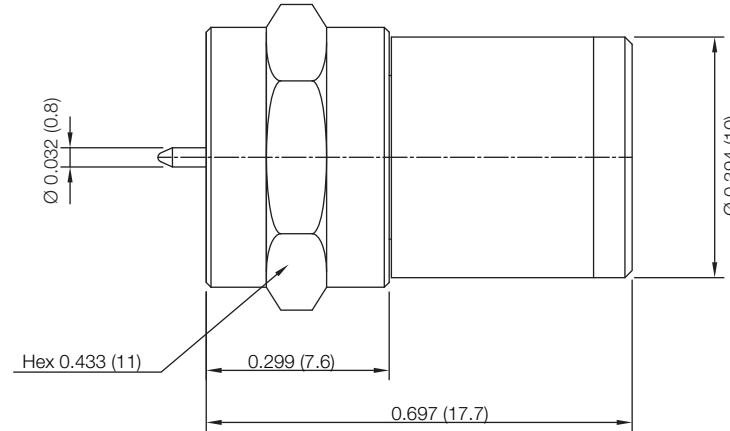
INITIAL

Electrical Data

Impedance 75 Ω
 Frequency Range DC - 3 GHz.
 Power Rating 1 Watt
 VSWR ≤ 1.20 max

Mechanical Data

Temperature Range: -30 °C - 80 °C

RoHS Compliant

Drawing not to scale. Dimensions for reference only

Units: inches (mm)

Konnect RF

WWW.KONNECTRF.COM
 1-800-790-5887

PART NUMBER

KTM177002

DESCRIPTION

Termination, F Male Plug

CAGE CODE

664U0

SIGNATURE

X

THIS DRAWING INCLUDING THE
 DESIGNS IS THE PROPERTY OF
 KONNECT RF AND IS NOT TO
 BE USED FOR ANY PURPOSE
 WITHOUT OUR APPROVAL.

Component

Body
 Coupling Cap & Cover1
 Center Contact
 Insulator

Material

Brass
 Brass
 Brass
 PTFE

Plating

Nickel
 Nickel
 Gold