

PART NUMBER

KSW177512

REV.

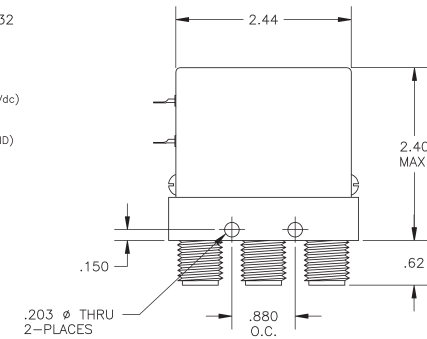
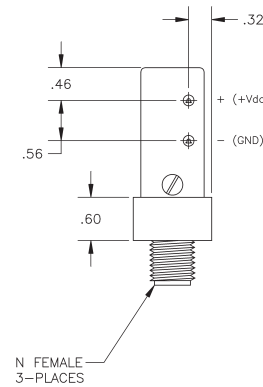
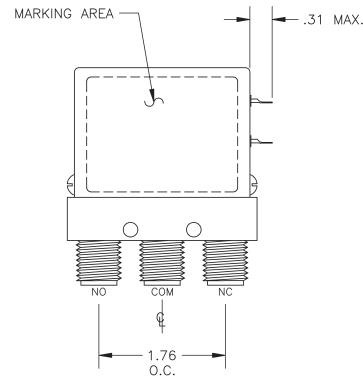
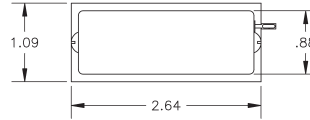
DATE

COMMENTS

INITIAL

Electrical Data

Frequency Range	DC-12.4 GHz
Impedance	50 Ohms nominal
VSWR	1.15:1 maximum DC-1 GHz 1.20:1 maximum 1-2 GHz 1.25:1 maximum 2-4 GHz 1.45:1 maximum 4-8 GHz 1.50:1 maximum 8-12.4 GHz
Insertion Loss	0.15 dB maximum DC-1 GHz 0.20 dB maximum 1-2 GHz 0.25 dB maximum 2-4 GHz 0.40 dB maximum 4-8 GHz 0.50 dB maximum 8-12.4 GHz
Isolation	85 dB minimum DC-1 GHz 80 dB minimum 1-2 GHz 70 dB minimum 2-4 GHz 60 dB minimum 4-12.4 GHz
Switching Speed	20 milliseconds
RF Input Power	1000 Watts average DC-1 GHz 750 Watts average 1-2 GHz 500 Watts average 2-4 GHz 400 Watts average 4-8 GHz 300 Watts average 8-12.4 GHz
Control(1 line) (for COM to N.O.)	+XX is either +12,+15,+24 or +28 ----- +12Vdc(11-14V) @ 260 mA nominal +15Vdc(13-17V) @ 230 mA nominal +24Vdc(20-28V) @ 150 mA nominal +28Vdc(24-32V) @ 115 mA nominal
Operating Temperature Range	-20°C to +65°C

RoHS Compliant**Drawing not to scale. Dimensions for reference only****Units: inches****Konnect RF**

WWW.KONNECTRF.COM
1-800-790-5887

PART NUMBER

KSW177512

DESCRIPTION

Switch, 1P2T, Failsafe RF Switch, N

CAGE CODE

664U0

SIGNATURE

X

Component
Body

Material
Aluminum Alloy

THIS DRAWING INCLUDING THE
DESIGNS IS THE PROPERTY OF
KONNECT RF AND IS NOT TO
BE USED FOR ANY PURPOSE
WITHOUT OUR APPROVAL.