

PART NUMBER

KSW177503

REV.

DATE

COMMENTS

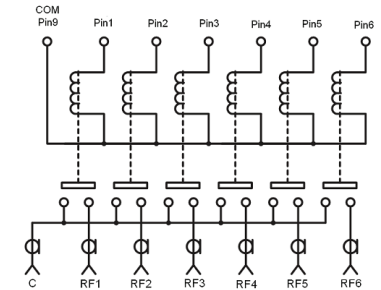
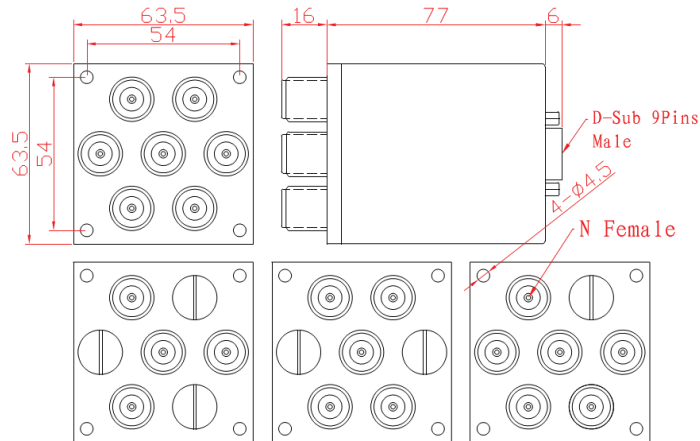
INITIAL

Electrical Data

Impedance	50 Ω
Frequency Range	DC - 3 GHz.
Insertion Loss	≤ 0.2 dB
Operational Voltage	DC24V
Isolation	≥ 80 dB
Power Handling	200W
VSWR	≤ 1.20

Mechanical Data

Temperature Range:	-30 $^{\circ}$ C - 65 $^{\circ}$ C
Switching Sequence:	Break Before Make
Life:	≥ 1000000 Cycles



Drawing not to scale. Dimensions for reference only

Units: mm

Konnect RF

WWW.KONNECTRF.COM
1-800-790-5887

PART NUMBER

KSW177503

DESCRIPTION

Switch, N Female Jack, Normally Open Type

CAGE CODE

664U0

SIGNATURE

X

THIS DRAWING INCLUDING THE
DESIGNS IS THE PROPERTY OF
KONNECT RF AND IS NOT TO
BE USED FOR ANY PURPOSE
WITHOUT OUR APPROVAL.