

PART NUMBER

KSW177501

REV.

DATE

COMMENTS

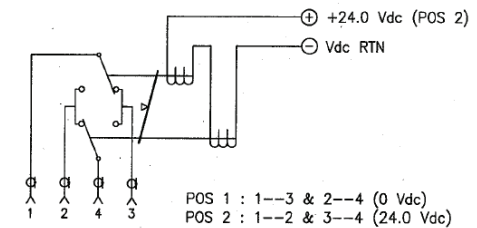
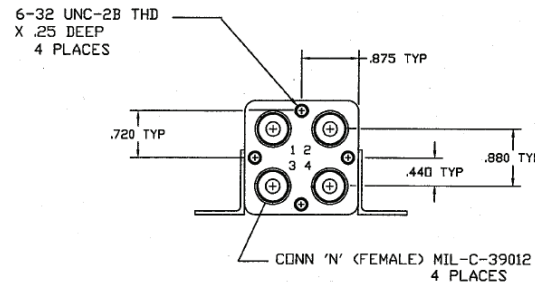
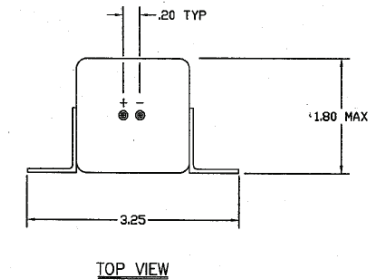
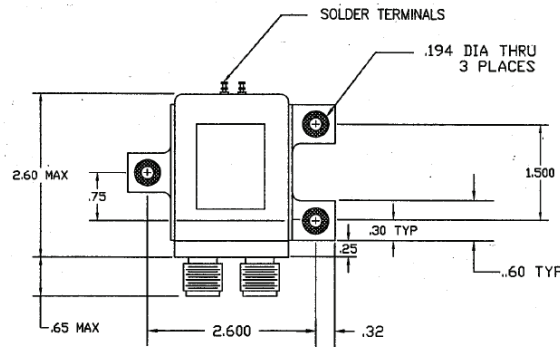
INITIAL

Electrical Data

| | |
|------------------|---|
| Impedance | 50 Ω |
| Frequency Range | DC - 12.4 GHz. |
| Isolation | 80 dB @ DC-2 GHz 70 dB @ 2-8 GHz 60 dB @ 8-12.4 GHz |
| Insertion Loss | ≤ 0.5 dB Max/ 0.3 dB Typ. |
| RF Power | 350W CW @ 1 GHz |
| Actuator Voltage | 24 Vdc |
| Actuator | Failsafe |
| Switching Speed | 20mSec Max |
| VSWR | ≤ 1.5 Max/ 1.25 Typ. |
| Connectors | RF: N Female DC: Solder Terminals |

Mechanical Data

Temperature Range: -40 °C - 90 °C

RoHS Compliant

Drawing not to scale. Dimensions for reference only

Units: inches

Konnect RFWWW.KONNECTRF.COM
1-800-790-5887

PART NUMBER

KSW177501

DESCRIPTION

Switch, N Female Jack Transfer Switch, Failsafe 24VDC

CAGE CODE

664U0

SIGNATURE

X

THIS DRAWING INCLUDING THE
DESIGNS IS THE PROPERTY OF
KONNECT RF AND IS NOT TO
BE USED FOR ANY PURPOSE
WITHOUT OUR APPROVAL.