

PART NUMBER

**KSW177490**

CONTROL	DIM: A
NON TTL	1.41
TTL	1.70

REV.

DATE

DESC.

INITIAL

**Electrical Data**

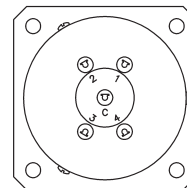
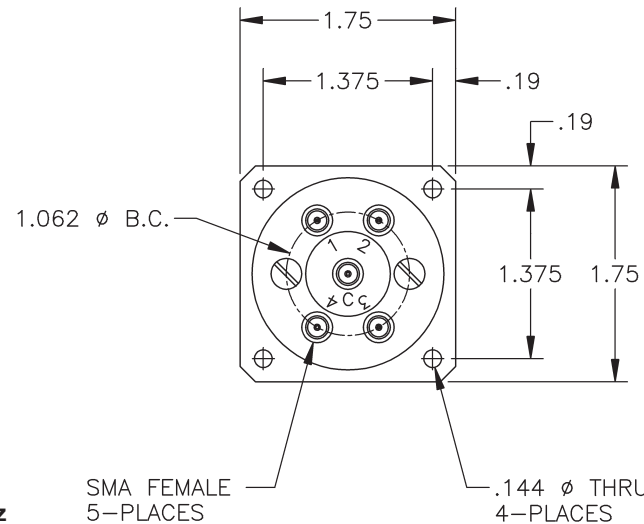
Impedance 50  $\Omega$   
 Frequency Range DC-18GHz  
 VSWR 1.20:1 Max. DC-4GHz  
 1.30:1 Max. 4-8GHz  
 1.40:1 Max. 8-12GHz  
 1.50:1 Max. 12-18GHz

Insertion Loss 0.2 dB Max. DC-4GHz  
 0.3 dB Max. 4-8GHz  
 0.4 dB Max. 8-12GHz  
 0.5 dB Max. 12-18GHz

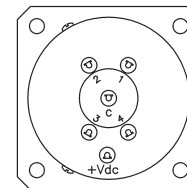
Insulation 70 dB Min. DC-4GHz  
 65 dB Min. 4-8GHz  
 60 dB Min. 8-12GHz  
 60 dB Min. 12-18GHz

Switching Speed 20 Milliseconds  
 RF Input Power 400 Watts Avg DC-200MHz  
 300 Watts Avg 200-500MHz  
 200 Watts Avg 500-1000MHz  
 100 Watts Avg 1-4GHz  
 90 Watts Avg 4-8GHz  
 70 Watts Avg 8-12GHz  
 60 Watts Avg 12-18GHz

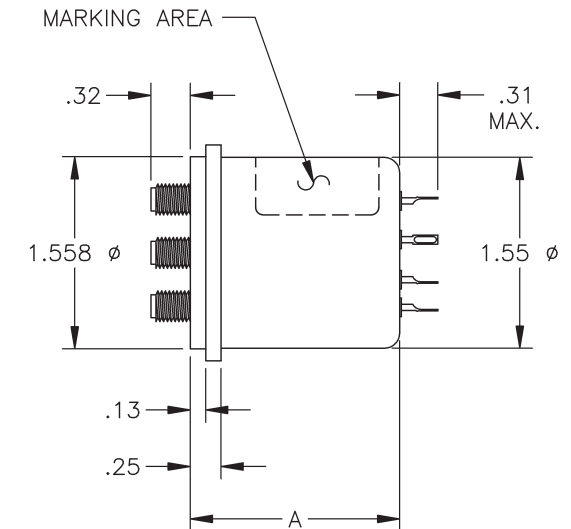
Control +12 Vdc (11-14) @ 325 mA Nominal  
 DC Connector Solder Terminals  
 RF Connector SMA Female  
 Lifetime 1 Million Cycles Min.  
 Operating Temp. Range -20°C To +65°C  
 Weight 4oz Nominal

**RoHS Compliant**

NON TTL



TTL



VSWR and Frequency Range Specifications are for reference and are dependant on cable type and other application specific conditions

Drawing not to scale. Dimensions for reference only

**Konnect RF**

540 NW University Blvd. Ste. 109  
 Port Saint Lucie, Florida, 34986  
 1-800-790-5887

PART NUMBER

**KSW177490**

DESCRIPTION

**Switch - 1P4T**  
**Normally Open Reflective**

CAGE CODE

**664U0**

SIGNATURE

X

Materials

Aluminum Alloy

THIS DRAWING INCLUDING THE DESIGNS IS THE PROPERTY OF KONNECT RF AND IS NOT TO BE USED FOR ANY PURPOSE WITHOUT OUR APPROVAL.