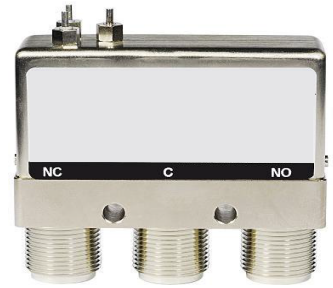


KSW177489

High Power SPDT Switch DC-3GHZ Failsafe Type N female With Indicator



RF SPEC.

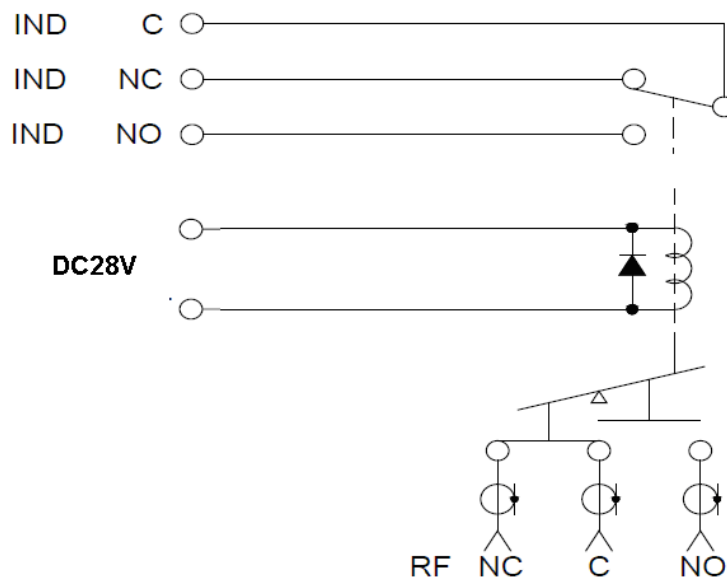
Frequency Range	DC-1GHZ	1-2GHZ	2-3GHZ
VSWR	<1.10	<1.15	<1.20
Insertion Loss	<0.15dB	<0.20dB	<0.20dB
Isolation	>85dB	>80dB	>70dB
*Power Handling(CW)	300W	240W	200W

Power handing: VSWR=1.1, @25°C, sea level, cold switch

- . RF Impedance: 50 ohm
- . Operating Voltage: DC28V/160mA
- . Switching Time: <20ms
- . Life:>1000000cycles
- . Switching Sequence:Break Before Make
- . Operating Temperature: -40 ~ +85°C
- . RF Interface: N female

TTL Control Logic

DIAG.



Outline (mm):

