
KSW177483 -SPDT N Female DC-3GHZ



Features

- Latching Type
- Only one side TTL Control(same function as Failsafe Type with TTL Control)
- With Indicator and self cut-off circuits

Applications

- UHF L band Radar
- Testing system
- Broadband Wireless

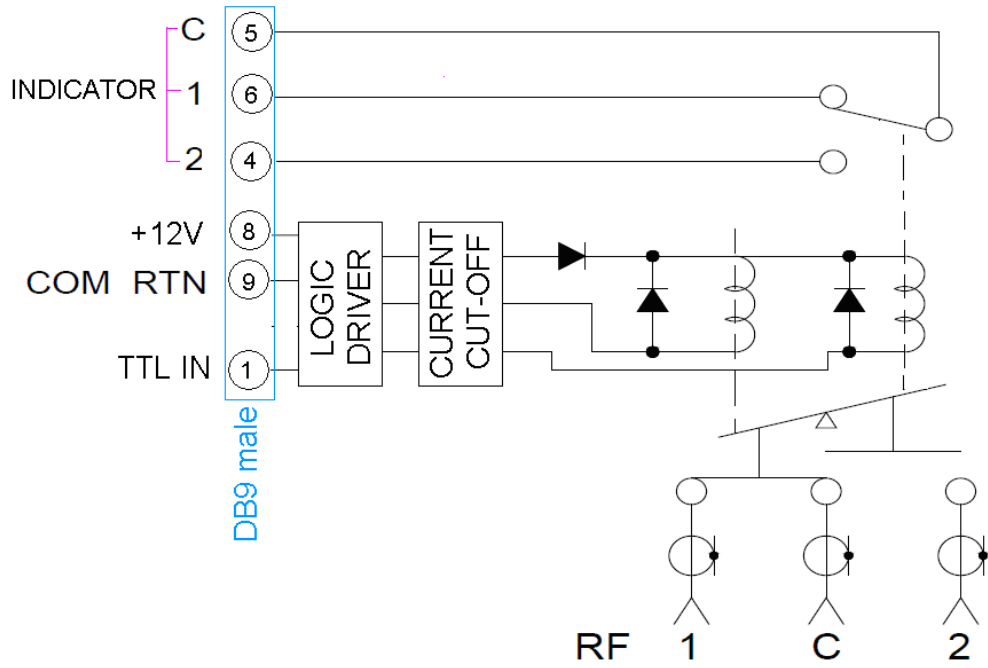
RF Specifications

Frequency Range	DC-500MHZ	DC-1GHZ	1-2GHZ	2-3GHZ
VSWR	<1.10	<1.15	<1.20	<1.25
Insertion Loss	<0.15dB	<0.15dB	<0.20dB	<0.25dB
Isolation	>85dB	>80dB	>70dB	>60dB
Power Handling(CW)	400W	300W	240W	200W

* Power Handling: VSWR=1.1, @25°C, Sea level, Cold switching

- RF Impedance: 50 ohm
 - Operating Voltage: DC12/300mA
 - Switching Time: <15ms
 - Life:>1,000,000 cycles
 - Switching Sequence:Break Before Make
 - Operating Temperature: -30 ~ +65°C
 - RF Interface: N female
 - Indicator Rating DC5V/50mA
 - TTL High Level “1” : 2.5-5.0V ; TTL Low Level “0” : 0-0.8V
-

Electrical Schematic



RF Patch

TTL IN	RF C-1	RF C-2
Low Level "0" (0-0.8V)	ON	OFF
High Level "1" (2.5-5.0V)	OFF	ON

Outline Drawing (Units: mm)

