

PART NUMBER

KSW177421

REV.	DATE	COMMENTS	INITIAL
A	06/02/2022	Added Schematics	

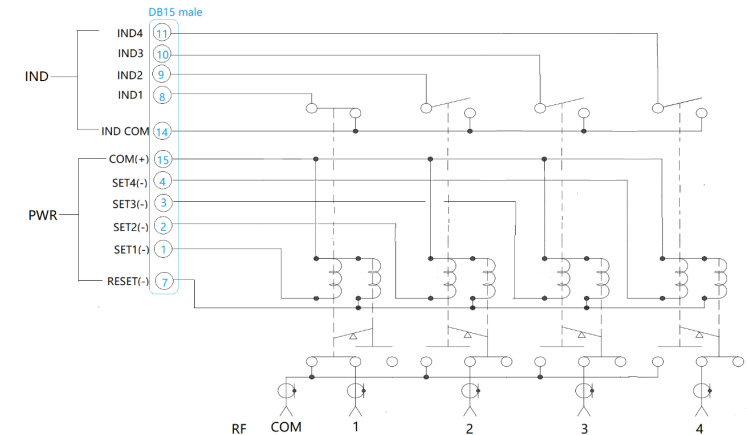
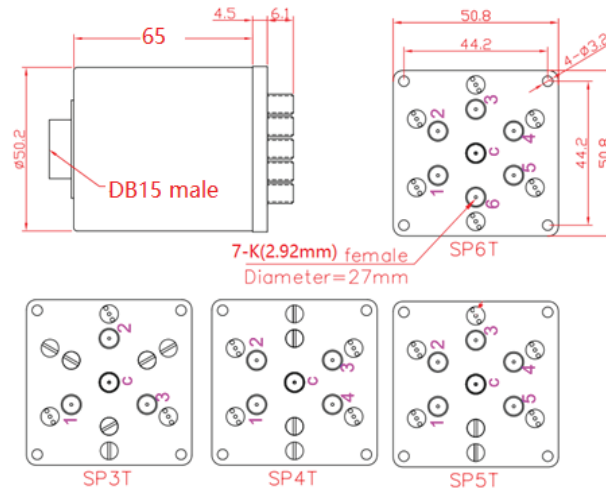
RoHS Compliant

Electrical Data

Impedance	50 Ω
Control Voltage/Current	DC12V/200mA RESET=N*200mA DC24V/100mA RESET=N*100mA
Switching Time	< 20 ms

Mechanical Data

Operating Life	> 1,000,000
Temperature Range:	-25 $^{\circ}$ C - 65 $^{\circ}$ C



Frequency Range	Insertion Loss	VSWR	Isolation	Power Handling
DC-6GHZ	<0.30dB	<1.22	>70dB	30W
6-12.4GHZ	<0.40dB	<1.22	>65dB	20W
12.4-18GHZ	<0.50dB	<1.22	>60dB	15W

Drawing not to scale. Dimensions for reference only

Units: mm

Konnect RF

WWW.KONNECTRF.COM
1-800-790-5887

PART NUMBER

KSW177421

DESCRIPTION

**Switch, SP4T Latching Type, DC24V With Indicator,
2.92 Female, DB15 male, (Need reset before set next RF channel)**

CAGE CODE

664U0

SIGNATURE

X 

THIS DRAWING INCLUDING THE
DESIGNS IS THE PROPERTY OF
KONNECT RF AND IS NOT TO
BE USED FOR ANY PURPOSE
WITHOUT OUR APPROVAL.