

SPDT Switch, Terminated, DC-18GHz, Latching,
+12V, D-Sub W/TTL, SMA Female

Features:
* High Power
* Long Operation Life

Applications:
* Wireless
* Transmitter
* Laboratory Test
* Radar

Electrical

| Frequency: | | DC~18GHz | | | |
|-----------------------|---------------------|----------------|------|-----|-----|
| Impedance: | | 50Ω | | | |
| Frequency range (GHz) | Insertion Loss (dB) | Isolation (dB) | VSWR | | |
| DC~6 | 0.2 | 70 | 1.2 | | |
| 6~12 | 0.25 | 70 | 1.3 | | |
| 12~18 | 0.4 | 60 | 1.4 | | |
| Voltage (V) | | +12 | +18 | +24 | +28 |
| Current (mA) | Failsafe | 190 | 136 | 98 | 83 |
| | Latching | 200 | 119 | 90 | 115 |

Mechanical

| | |
|--|---------------------------------------|
| Size ¹ : | 40*L*15mm 1.575*L*0.591in |
| Weight: | 70g |
| Switching Sequence: | Break before Make |
| Switching Time: | 15mS max. |
| Operation Life: | 1M Cycles |
| Vibration (operating): | 20-2000Hz, 10G RMS |
| Mechanical Shock (non-operating): | 50G, 1/2sine, 11mS |
| RF Connectors: | SMA Female |
| Power Supply & Control Interface Connectors: | Feed Through/Terminal Post or D-Sub 9 |
| Mounting: | 2-Ø3.2mm through-hole |

[1] Exclude connectors.

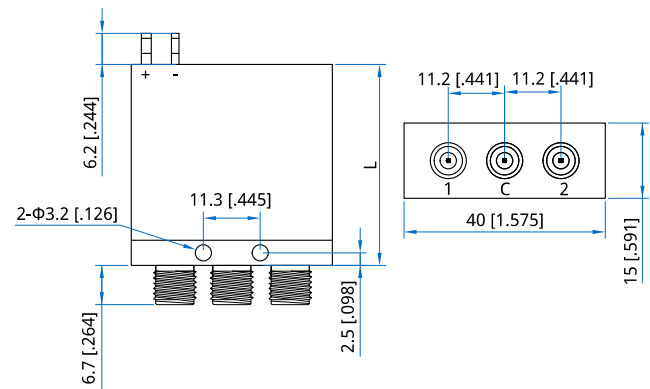
Pin Numbering

| Pin | Function | Pin | Function |
|-----|-----------------------|-----|----------------------|
| 1 | V1/A1 (1) | 5~6 | Indicator (1~2) |
| 2 | V2/A2 (Latching Only) | 7 | COM (Indicator) |
| 3 | COM | 9 | V (TTL or Indicator) |
| 4/8 | NA | | |

Environmental

| | |
|-----------------------|------------|
| Temperature: | -25~+65 °C |
| Extended Temperature: | -55~+85 °C |

Outline Drawings



| Height (L) | Standard | TTL | Indicator |
|------------|----------|------|-----------|
| mm | 40 | 50 | 60 |
| in | 1.58 | 1.97 | 2.36 |

Unit: mm [in]

Tolerance: ±0.5mm [±0.00in]