

PART NUMBER

KSW177315

REV.

DATE

COMMENTS

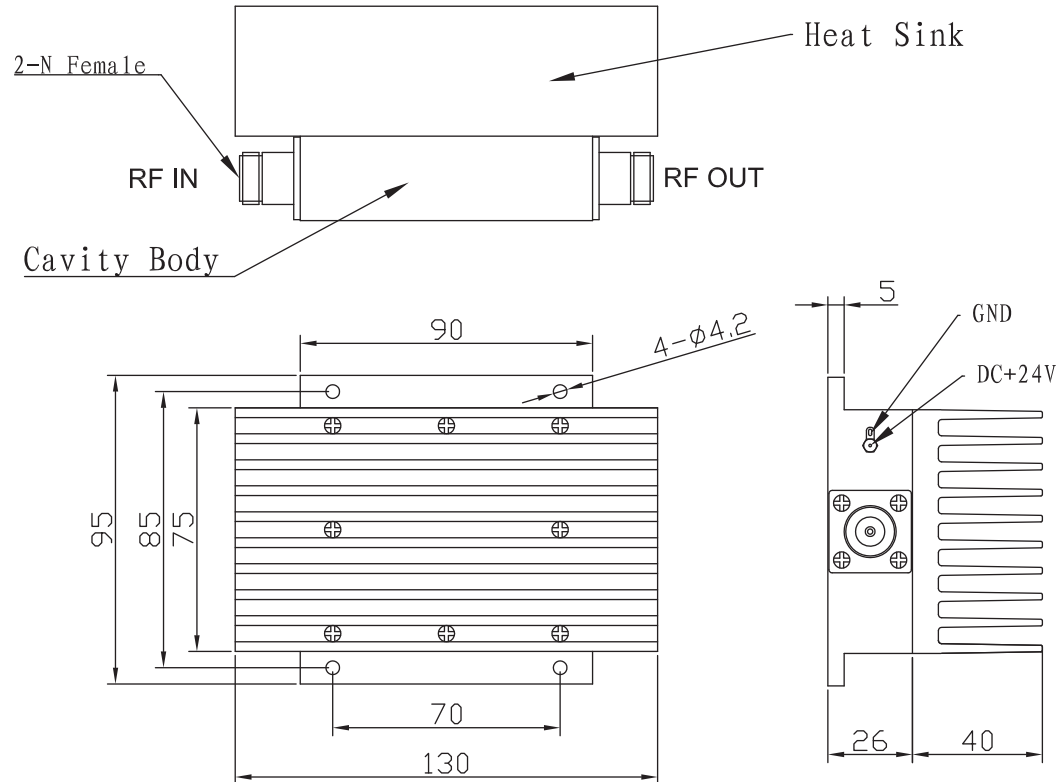
INITIAL

Electrical Data

Frequency Range	DC - 1 GHz.
Insertion Loss	<0.8dB(Pass Through)
Power Handling	25W(CW),50W (MAX.)
Switching Time	<15ms
Control Voltage	DC24V(18-32V)/30mA
VSWR	<1.50

RoHS Compliant**Environmental Data**

Temperature Range	-30 °C - + 60 °C
-------------------	------------------



Drawing not to scale. Dimensions for reference only

Units: mm

Konnect RF

WWW.KONNECTRF.COM
1-800-790-5887

PART NUMBER

KSW177315

DESCRIPTION

**Custom RF Switch Module, N Female Jack,
NO Attenuation in RF Patch**

CAGE CODE

664U0

SIGNATURE

X

THIS DRAWING INCLUDING THE
DESIGNS IS THE PROPERTY OF
KONNECT RF AND IS NOT TO
BE USED FOR ANY PURPOSE
WITHOUT OUR APPROVAL.