

SPDT With Termination / SMA Female

Latching Type- DC24V, DC-6 GHz, 2CH TTL Function,

RF SPEC.

Frequency Range	DC-3GHZ	3-6GHZ	6-12GHZ	12-18GHZ
VSWR	<1.20	<1.30	<1.40	<1.50
Insertion Loss	<0.2dB	<0.3dB	<0.4dB	<0.5dB
Isolation	>80dB	>70dB	>65dB	>60dB
Power Handling(CW)	85W	60W	50W	30W
Termination	1W			

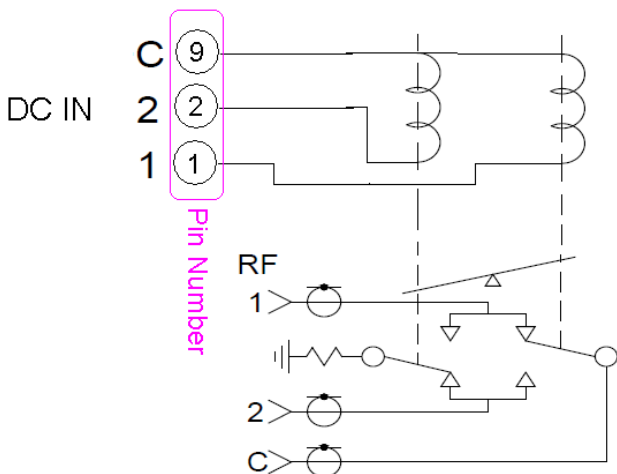
*Condition: VSWR=1.1, 25°C, sea level, cold switching

- . RF Impedance: 50 ohm
- . Operating Voltage: DC12/460mA(DC24V/185mA)
- . Switching Time: <20ms
- . Life:>1000000 cycles
- . Switching Sequence:Break Before Make
- . Operating Temperature: -30 ~ +65°C (Option -40 ~ +85°C)
- . RF Interface: SMA female

Note 1) No COM Port Polarity SPEC. for TTL Control
 2) 1CH TTL Control type has same function with Failsafe Type(With TTL control)

SCHEMATIC

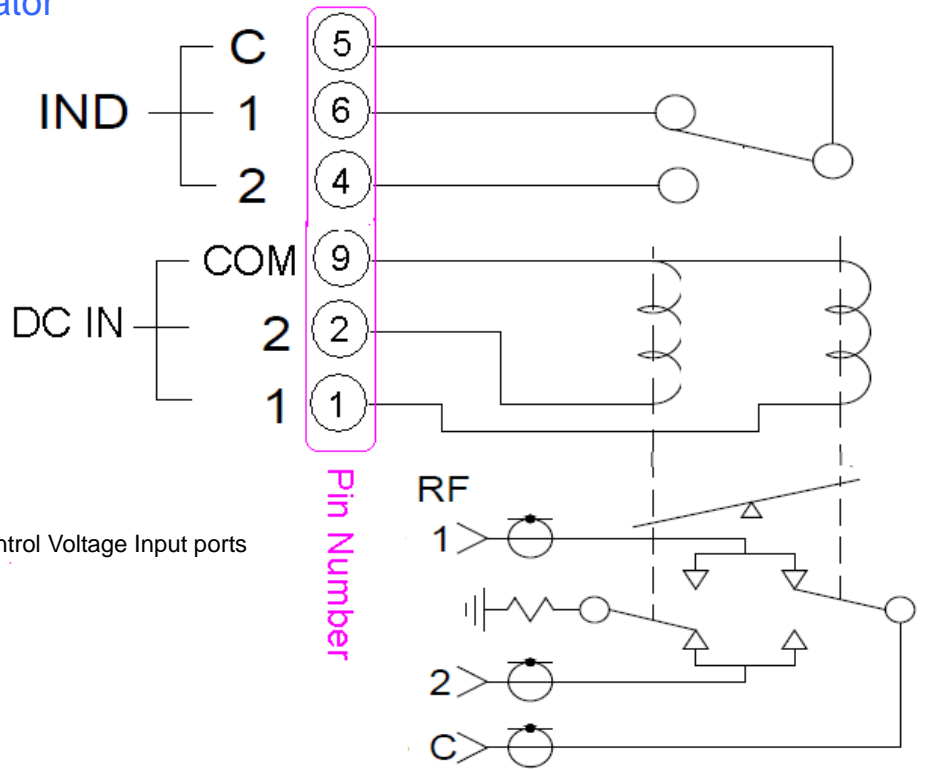
Voltage Control



C –COM port (Pin9)
 (This Port need SPEC. for Polarity)
 1 (Pin1) ,2 (Pin2) Control Voltage Input Ports

DC IN	RF ON	RF OFF
1-C=V,2-C=0V	C-1 2- 50 ohm	C-2 1- 50 ohm
1-C=0V,2-C=V	C-2 1- 50 ohm	C-1 2- 50 ohm

Voltage Control with Indicator



Voltage Control Part:

DC IN COM is COM Port (Pin9)

(This Port need SPEC. for Polarity)

DC IN 1 (Pin1) ,DC IN 2 (Pin2) are Control Voltage Input ports

IND (Indicator) Part:

C (Pin5) is COM Port for Indicator

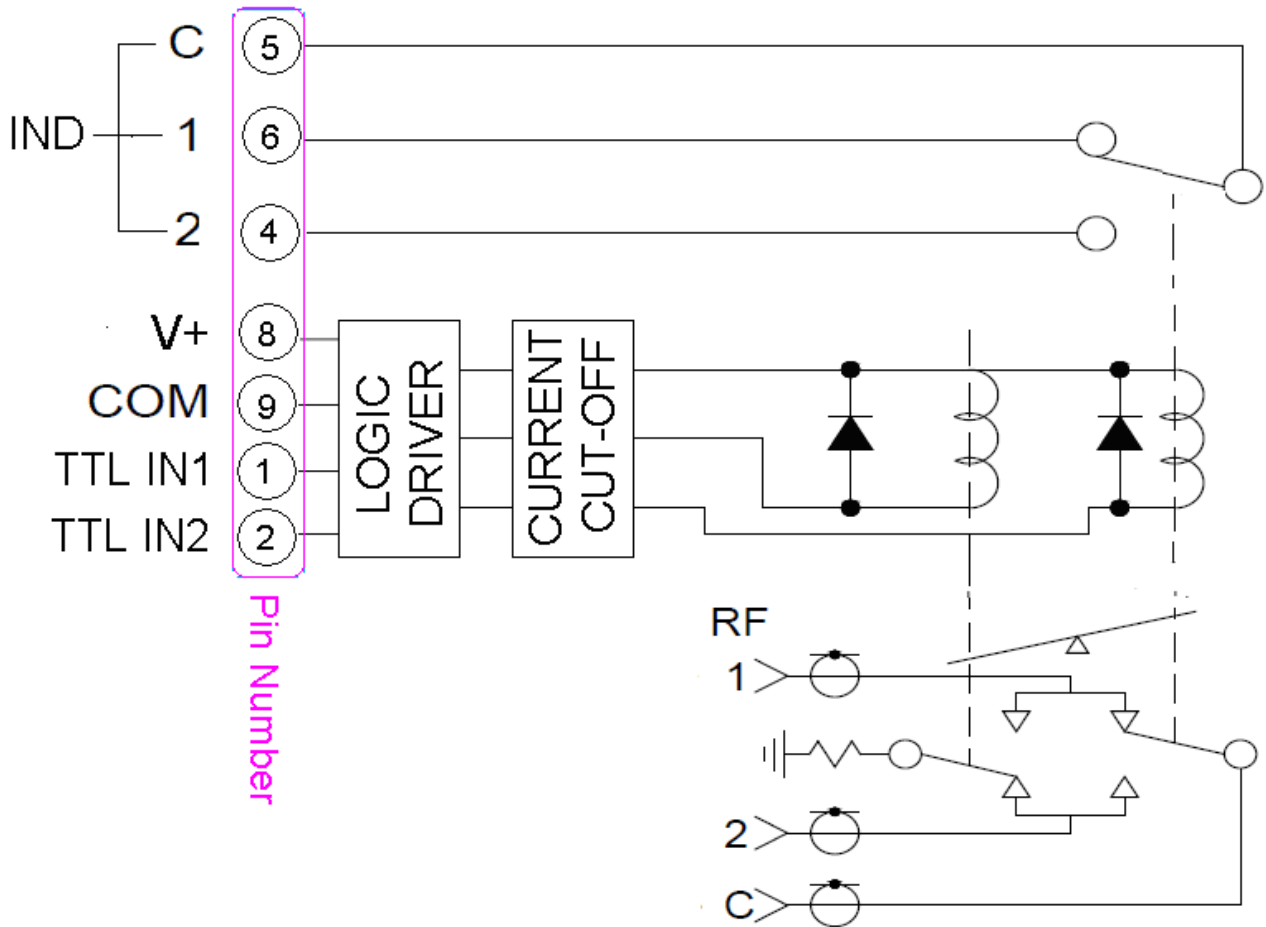
1 (Pin6) is "1" for Indicator

2 (Pin4) is "2" for Indicator

DC IN	RF ON	RF OFF	IND	
1-C=V,2-C=0V	C-1	C-2	C-1 ON	C-2 OFF
	2- 50 ohm	1- 50 ohm		
1-C=0V,2-C=V	C-2	C-1	C-1 OFF	C-2 ON
	1- 50 ohm	2- 50 ohm		

2 Channels

TTL Control with Indicator:



TTL IN	RF ON	RF OFF	IND	
TTL IN1="1";TTL IN2="0"	C-1 2- 50 ohm	C-2 1- 50 ohm	C-1 ON	C-2 OFF
TTL IN1="0";TTL IN2="1"	C-2 1- 50 ohm	C-1 2- 50 ohm	C-1 OFF	C-2 ON

Logic "1" =2.5-5.0V

Logic "0" =0-0.8V

Pin Number SPEC. :

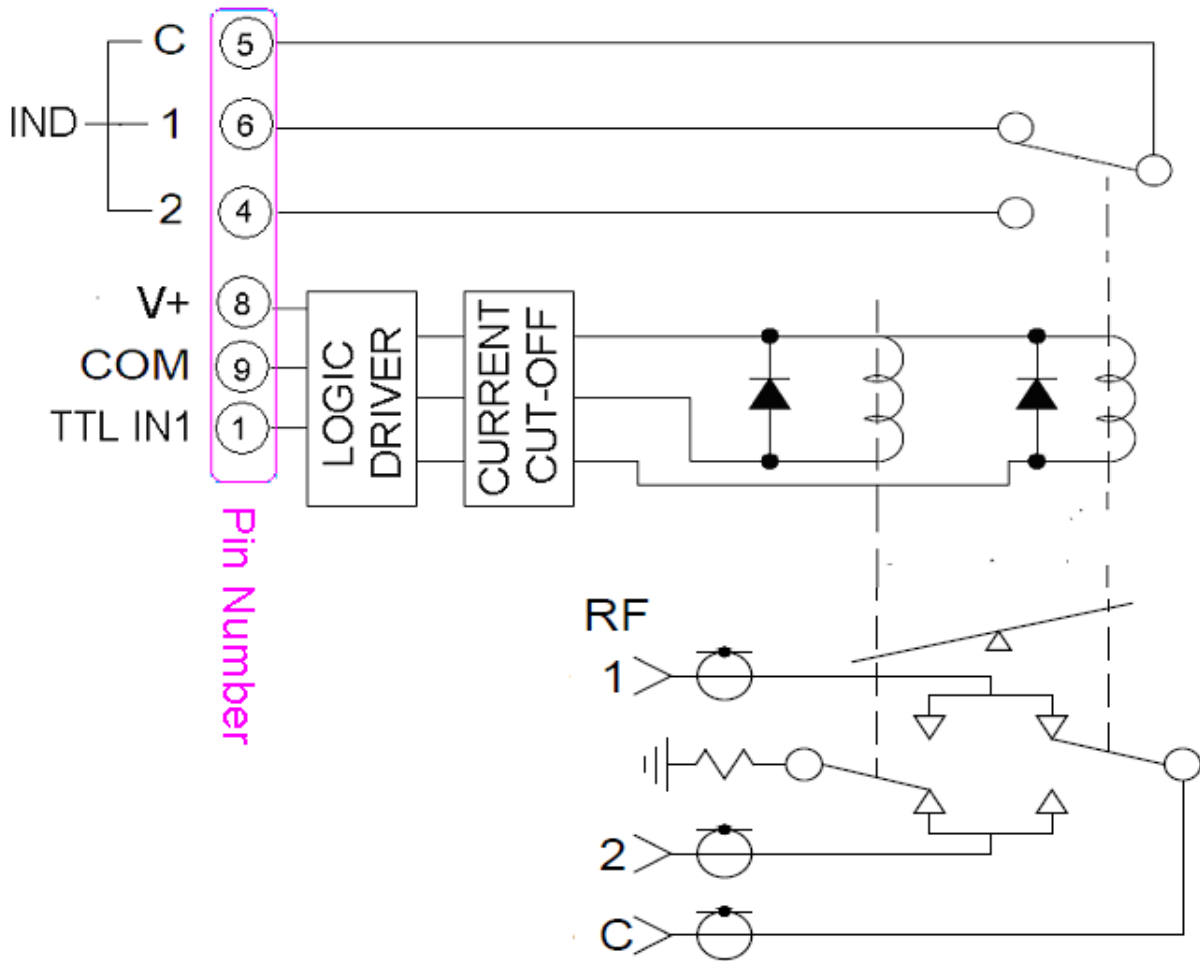
Pin1,Pin2:TTL Logic Inputs

Pin9: COM RTN for TTL& Control Voltage

Pin8:Control Voltage Positive Port

Pin4,5,6:For Indicator

1 Channel TTL Control with Indicator:



TTL IN	RF ON	RF OFF	IND	
TTL IN1="1"	C-1 2- 50 ohm	C-2 1- 50 ohm	C-1 ON	C-2 OFF
TTL IN1="0"	C-2 1- 50 ohm	C-1 2- 50 ohm	C-1 OFF	C-2 ON

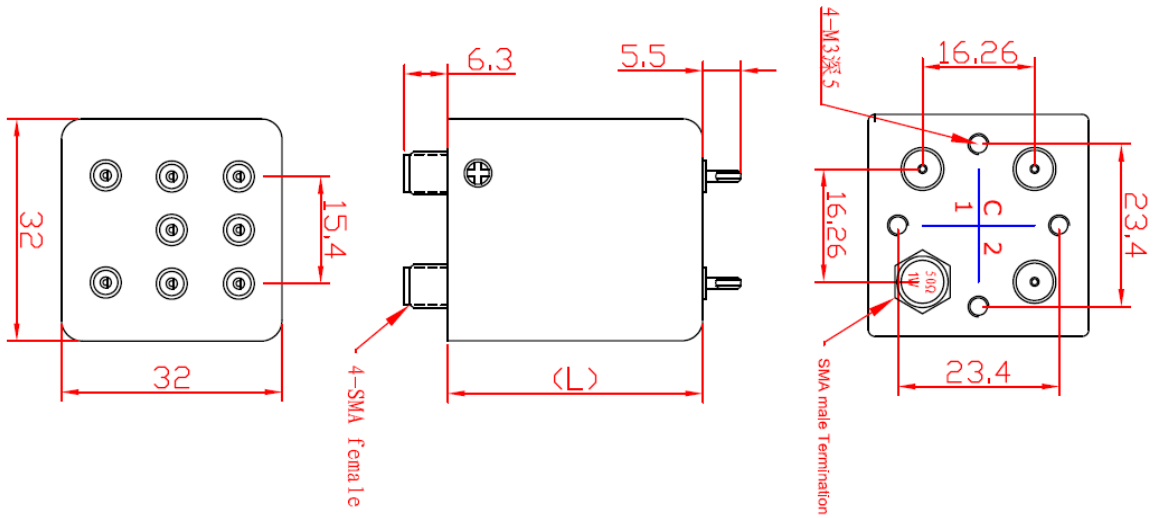
Logic "1" =2.5-5.0V
 Logic "0" =0-0.8V

Pin Number SPEC. :

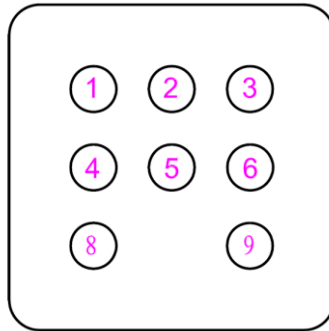
- Pin1:TTL Logic Inputs
- Pin9: COM RTN for TTL& Control Voltage
- Pin8:Control Voltage Positive Port
- Pin4,5,6:For Indicator

[Solder Terminal Outline\(mm\)](#)

No Plug L=37mm(NO TTL Control) L=46mm(With TTL Control)

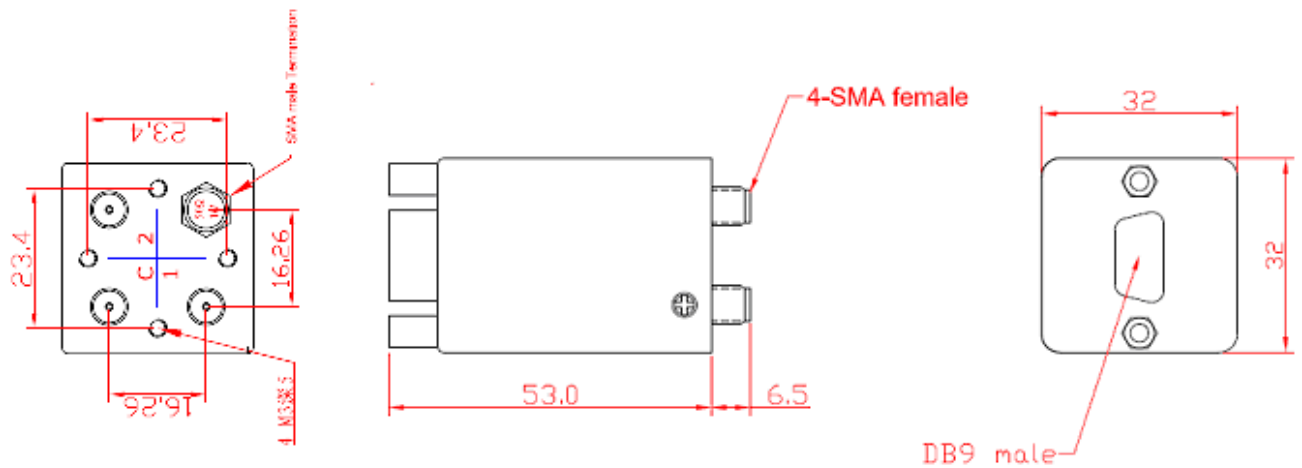


Solder Terminal



DB9 male Outline(mm)

NO Plug



With PLUG

