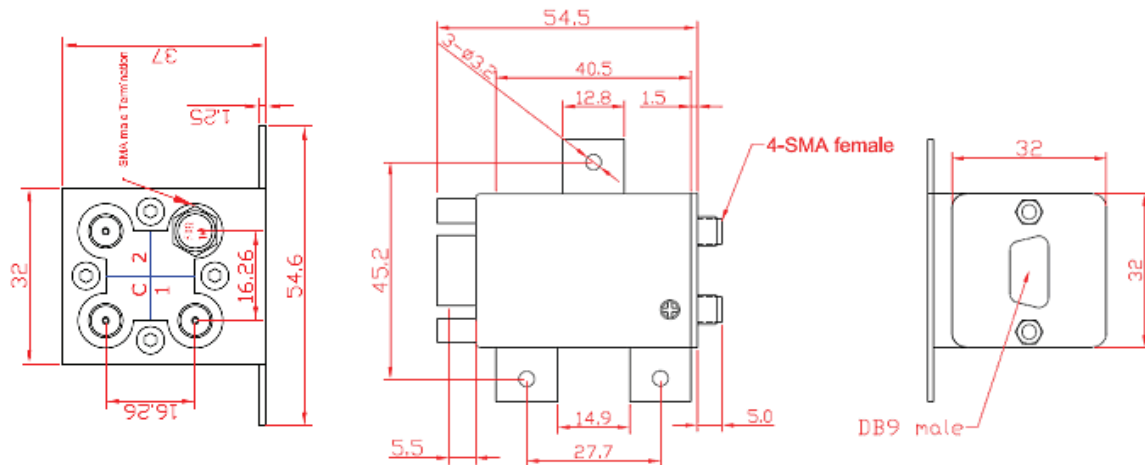


Switch, SMA Female Jack, SPDT w/ Termination, Latching Type, DC-20 GHz, DC24V, 2CH TTL Function



SPEC.

Frequency Range	20 GHz
VSWR	<1.50
Insertion Loss	<0.5dB
Isolation	>60dB
Power Handling(CW)	30W
Termination	1W

*Condition: VSWR=1.1, 25°C, sea level, cold switching

- . Impedance: 50 ohm
- . Operating Voltage: DC12/460mA(DC24V/185mA)
- . Switching Time: <20ms
- . Life:>1000000 cycles
- . Switching Sequence:Break Before Make
- . Operating Temperature: -30 ~ +65°C (Option -40 ~ +85°C)
- . Interface: SMA female