

PART NUMBER

KSW177187

REV.

DATE

COMMENTS

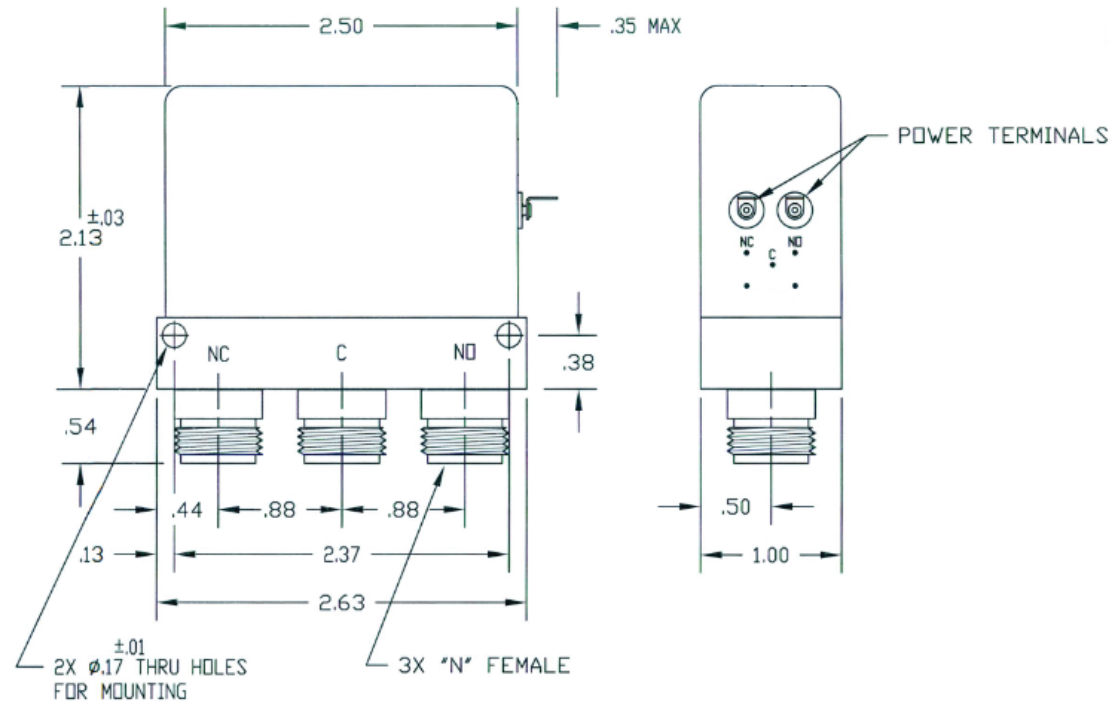
INITIAL

Electrical Data

Impedance	50 Ω
Frequency Range	16.5-17.5 GHz.
Insertion Loss	0.5 dB
Isolation	50dB Min
Return Loss	14 dB Min
Average Power	125 W CW
Peak Power	450W (30% Duty Cycle)
Actuator Voltage	28VDC, 5VDC TTL
Switching Speed	50 mS Max, 1s Switching Rate
Switching	Failsafe

Mechanical Data

Operating Temperature: -40 °C - 100 °C

RoHS Compliant

Drawing not to scale. Dimensions for reference only

Units: inches

Konnect RF

WWW.KONNECTRF.COM
1-800-790-5887

PART NUMBER

KSW177187

DESCRIPTION

Switch, N Female Jack 2-Way Electro- Mechanical Switch

CAGE CODE

664U0

SIGNATURE

X

THIS DRAWING INCLUDING THE DESIGNS IS THE PROPERTY OF KONNECT RF AND IS NOT TO BE USED FOR ANY PURPOSE WITHOUT OUR APPROVAL.