

PART NUMBER

KSW177183

REV.

DATE

COMMENTS

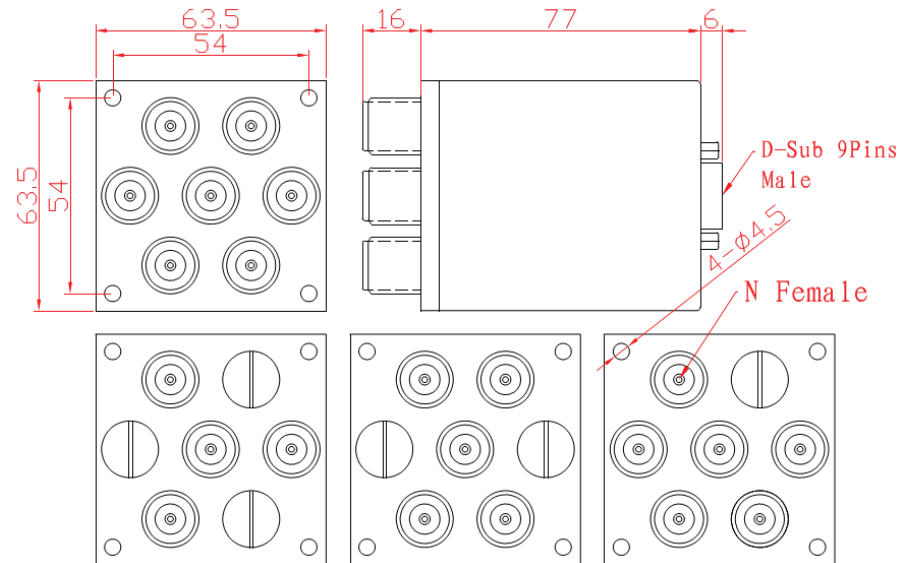
INITIAL

Electrical Data

Impedance	50 Ω
Frequency Range	DC - 3 GHz.
Switching Time	<15ms
Operating Voltage:	DC12V/275Ma DC24V/160mA
Control Voltage	DC24Volts
Insertion Loss	< 0.2 dB
Isolation	>80dB
Power Handling	200W @ 25 °C, Sea Level,Cold Switch
VSWR	<1.20

Mechanical Data.

Durability	1,000,000 Cycles Min.
Temperature Range:	-30 °C - 65 °C

RoHS Compliant

Drawing not to scale. Dimensions for reference only

Units: mm

Konnect RF

WWW.KONNECTRF.COM
1-800-790-5887

PART NUMBER

KSW177183

DESCRIPTION

Switch, SP4T Type, N Female

CAGE CODE

664U0

SIGNATURE

X

THIS DRAWING INCLUDING THE
DESIGNS IS THE PROPERTY OF
KONNECT RF AND IS NOT TO
BE USED FOR ANY PURPOSE
WITHOUT OUR APPROVAL.