

PART NUMBER

KSW177134

REV.

DATE

COMMENTS

INITIAL

A

06/02/2022

Added Schematics

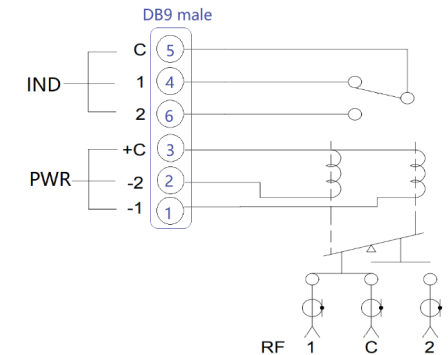
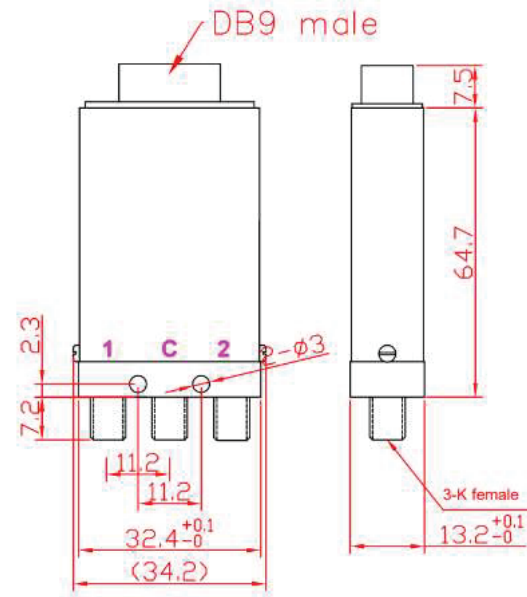
Electrical Data

Impedance 50 Ω
 Control Voltage/Current DC12V/200mA
 DC24V/100mA
 (Option:5V,15V,28V)
 Switching Time < 15 ms

Mechanical Data

Operating Life > 1,000,000
 Temperature Range: -25 $^{\circ}\text{C}$ - 65 $^{\circ}\text{C}$

RoHS Compliant



Frequency Range	Insertion Loss	VSWR	Isolation	Power Handling
DC-6GHZ	<0.30dB	<1.22	>70dB	30W
6-12.4GHZ	<0.40dB	<1.22	>65dB	20W
12.4-18GHZ	<0.50dB	<1.22	>60dB	15W

PWR	RF PATCH	INDICATOR
C-1=24V,C-2=0V	RF C-1 ON, C-2 OFF	IND C-1 ON,C-2 OFF
C-1=0V,C-2=24V	RF C-1 OFF,C-2 ON	IND C-1 OFF,C-2 ON

Drawing not to scale. Dimensions for reference only**Units: mm****Konnect RF**

WWW.KONNECTRF.COM
1-800-790-5887

PART NUMBER

KSW177134

DESCRIPTION

**Switch, SPDT Latching Type, DC24V (COM Port is Positive)
 DC-18GHZ, With Indicator, 2.92 Female, DB9 male**

CAGE CODE

664U0

SIGNATURE

X

THIS DRAWING INCLUDING THE
 DESIGNS IS THE PROPERTY OF
 KONNECT RF AND IS NOT TO
 BE USED FOR ANY PURPOSE
 WITHOUT OUR APPROVAL.