

PART NUMBER

KSW177130

REV.

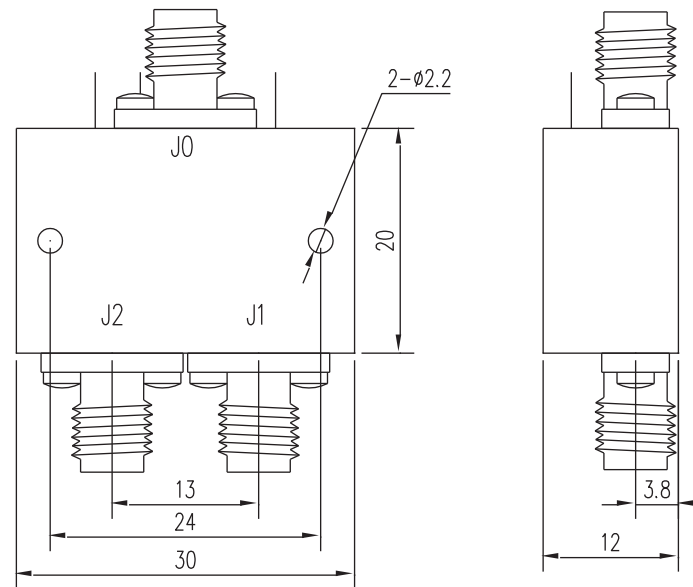
DATE

COMMENTS

INITIAL

Electrical Data

Impedance	50 Ω
Frequency Range	18~26GHz
Insertion Loss	3.0dB max.
Isolation	50dB min.
VSWR	1.60 max.
Switching Time	20ms max.
Supply Voltage	+12Vdc
Control	TTL

RoHS Compliant

Drawing not to scale. Dimensions for reference only

Units:mm

Konnect RF

WWW.KONNECTRF.COM
1-800-790-5887

PART NUMBER

KSW177130

DESCRIPTION

Switch, SPDT, Reflective Pin, SMA Female W/ TTL Control

CAGE CODE

664U0

SIGNATURE

X

THIS DRAWING INCLUDING THE
DESIGNS IS THE PROPERTY OF
KONNECT RF AND IS NOT TO
BE USED FOR ANY PURPOSE
WITHOUT OUR APPROVAL.