

PART NUMBER

KSW177126

REV.

DATE

COMMENTS

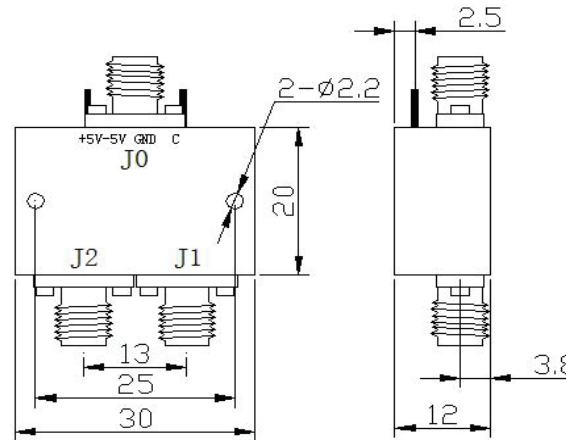
INITIAL

Electrical Data

Impedance	50 Ω
Frequency Range	1~6GHz
Insertion Loss	1.3dB max.
Isolation	65dB min.
VSWR	1.5 max.
Power Handling	+20dBm
Control	1bit TTL
Switching Speed	100ns max.
Current	+5V/40mA -5V/30mA

RoHS Compliant**Mechanical Data**

Temperature Range: -55 °C - 85 °C



Drawing not to scale. Dimensions for reference only

Units: mm

Konnect RF

WWW.KONNECTRF.COM
1-800-790-5887

PART NUMBER

KSW177126

DESCRIPTION

**Switch, SPDT, Reflective Pin,
SMA Female W/ TTL Control**

CAGE CODE

664U0

SIGNATURE

X

THIS DRAWING INCLUDING THE
DESIGNS IS THE PROPERTY OF
KONNECT RF AND IS NOT TO
BE USED FOR ANY PURPOSE
WITHOUT OUR APPROVAL.